

PRODUCT INFORMATION PACKET

Model No: 056C17E5314

Catalog No: G639

0.25 HP Explosion Proof Motor, 1 phase, 1800 RPM, 115/208-230 V, 56 Frame, EPNV
Explosion Proof NEMA Motors

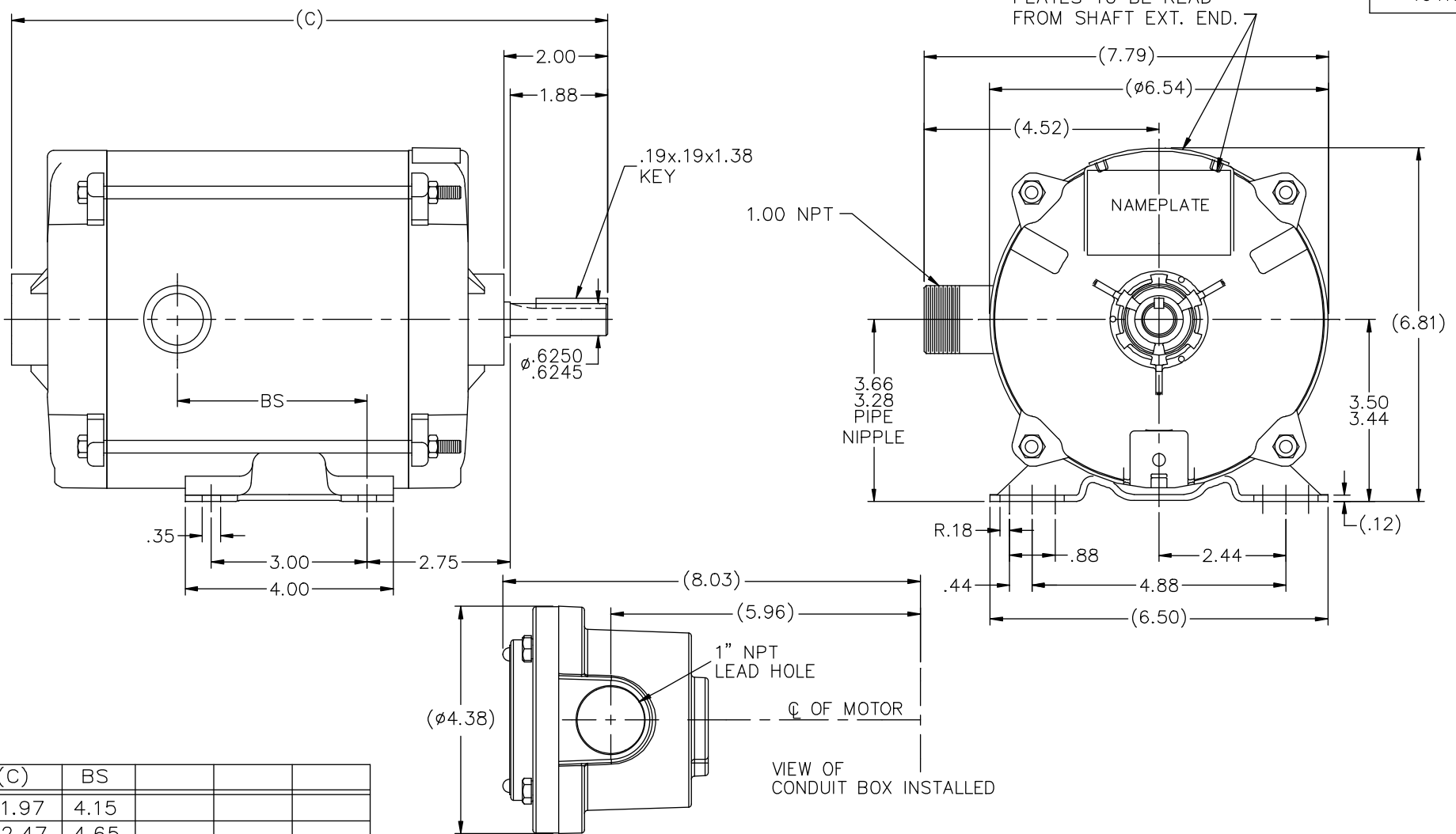


Nameplate Specifications

Output HP	0.25 Hp	Output KW	0.19 kW
Frequency	60 Hz	Voltage	115/208-230 V
Current	4.8/2.3-2.4 A	Speed	1725 rpm
Service Factor	1	Phase	1
Efficiency	65 %	Power Factor	60
Duty	Continuous	Insulation Class	B
Design Code	NO DESIGN CODE	KVA Code	P
Frame	56	Enclosure	Explosion Proof Non Ventilated
Thermal Protection	Automatic	Ambient Temperature	40 °C
Drive End Bearing Size	6203	Opp Drive End Bearing Size	6203
UL	UL Listed And CSA Certified	CSA	Y
CE	N	IP Code	54
Hazardous Location	EXP PROOF CL I GR C&D CL II GR F&G T3B		

Technical Specifications

Electrical Type	Capacitor Start Induction Run	Starting Method	Across The Line
Poles	4	Rotation	Selective Counterclockwise
Resistance Main	0 Ohms	Mounting	Rigid base
Motor Orientation	Horizontal	Drive End Bearing	Ball
Opp Drive End Bearing	Ball	Frame Material	Rolled Steel
Shaft Type	NEMA 56	Overall Length	11.97 in
Frame Length	6.31 in	Shaft Diameter	0.625 in
Shaft Extension	2 in	Assembly/Box Mounting	F1 ONLY
Outline Drawing	B-104196-631	Connection Drawing	102005-84

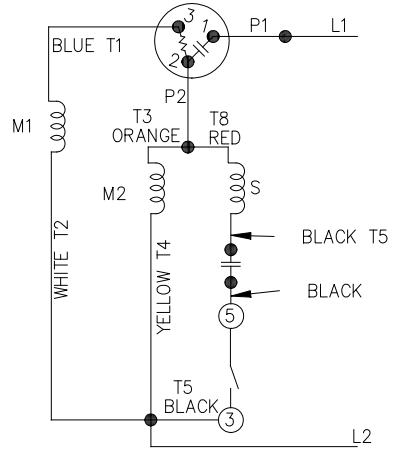


DASH	(C)	BS		
631	11.97	4.15		
681	12.47	4.65		
731	12.97	5.15		
781	13.47	5.65		
831	13.97	6.15		
881	14.47	6.65		
931	14.97	7.15		
981	15.47	7.65		

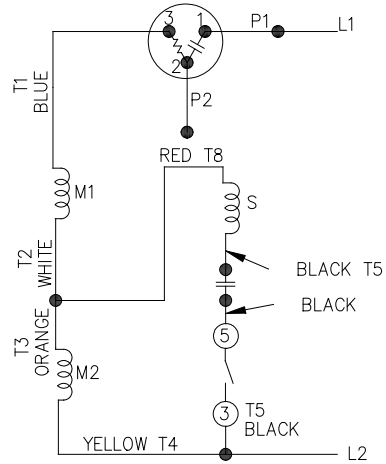
NO.	REVISION	BY & DATE	CHK	ANG	TOLERANCES UNLESS SPECIFIED	DEC.	INCHES	MARATHON ELECTRIC	DRAWN MH 12-10-1996
5	COND. BOX INSTALLED VIEW UPDATED PER ECR-0044571	UD 10/15/13	ST						APPD GK 01-13-1997
4	REVISED C'BOX PER CN40784A	JJB 02/23/2007	ML	.X	±.1				SCALE 17=32
3	REDRAWN IN AUTOCAD	TAT 06-28-2004	ML	.XX	±.03			TITLE OUTLINE	
2	ADDED CONDUIT BOX VIEW CN 26686	MRB 03-22-1999		.XXX	±.005			56 FRAME - EXP. PR. - TENV - 1ø & 3ø	REF
1	NEW DRAWING CN 23099	MH 01-13-1997		.XXXX	±.0005			MAT'L.	FMF
THIS DRAWING IN DESIGN AND DETAIL IS OUR PROPERTY AND MUST NOT BE USED EXCEPT IN CONNECTION WITH OUR WORK ALL RIGHTS OF DESIGN AND INVENTION ARE RESERVED THIS IS AN ELECTRONICALLY GENERATED DOCUMENT - DO NOT SCALE THIS PRINT						RFP		CAD FILE 104196	SIZE B
						DIST WP			DRAWING NO. 104196
									PAGE OF 5
									REV. 5

102005-84

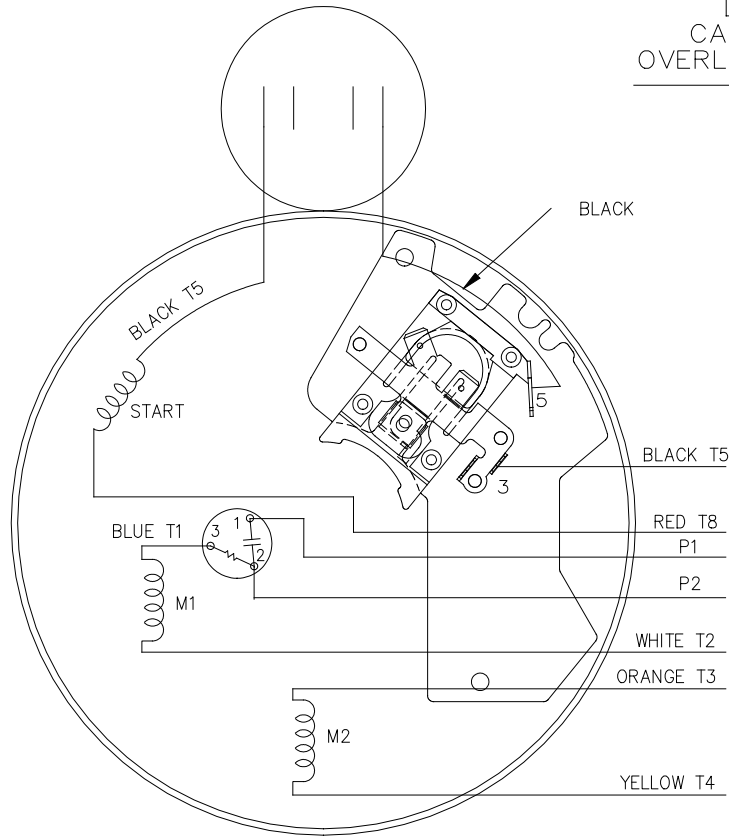
LOW VOLTAGE - C.C.W.



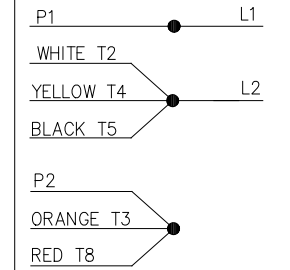
HIGH VOLTAGE - C.C.W.



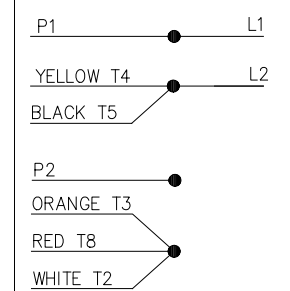
DUAL VOLTAGE
CAPACITOR START
OVERLOAD SELECT ROT.



LOW VOLT. - C.C.W. ROT.



HIGH VOLT. - C.C.W. ROT.



FOR C.W. ROTATION
EITHER VOLTAGE
INTERCHANGE RED(T8)
WITH BLACK(T5) LEAD

NO.	REVISION	BY & DATE	CHK	ANG	TOLERANCES UNLESS SPECIFIED		REGAL™ Regal Beloit America, Inc.	DRAWN PGK 07-16-1996		
					DEC.	INCHES				
5	UPDATED TEMPLETE	MVG 12/11/2017	PVR	.X	±.1			CHK MRB 07-18-1996		
4	REV'D CONNECTION TO MATCH ROTATION ISAAC 07-2021	JJB 09/05/2007	ML	.XX	±.02		TITLE CONNECTION DIAGRAM	APPD GK 07-18-1996		
3	ADDED T NO.'S MU16064	MH 08-09-1997		.XXX	±.005			SCALE 5=8		
2	REDRAWN ON CADD, NO CHANGES	PGK 07-18-1996		.XXXX	±.0005		MAT'L.	REF		
				CHK	ANG	±7'30"	FINISH	FMF		
				RFP			CAD FILE 102005_84	PREV		
THIS DRAWING IN DESIGN AND DETAIL IS OUR PROPERTY AND MUST NOT BE USED EXCEPT IN CONNECTION WITH OUR WORK ALL RIGHTS OF DESIGN AND INVENTION ARE RESERVED THIS IS AN ELECTRONICALLY GENERATED DOCUMENT - DO NOT SCALE THIS PRINT							SIZE	DRAWING NO.	PAGE OF	REV.
							A	102005-84	5	5



MARATHON ELECTRIC CORPORATION
TYPICAL PERFORMANCE CURVE for AC MOTOR

Customer

Curve at

230 Volts
60 HZ
0.25 HP

HP 0.25

PHASE 1

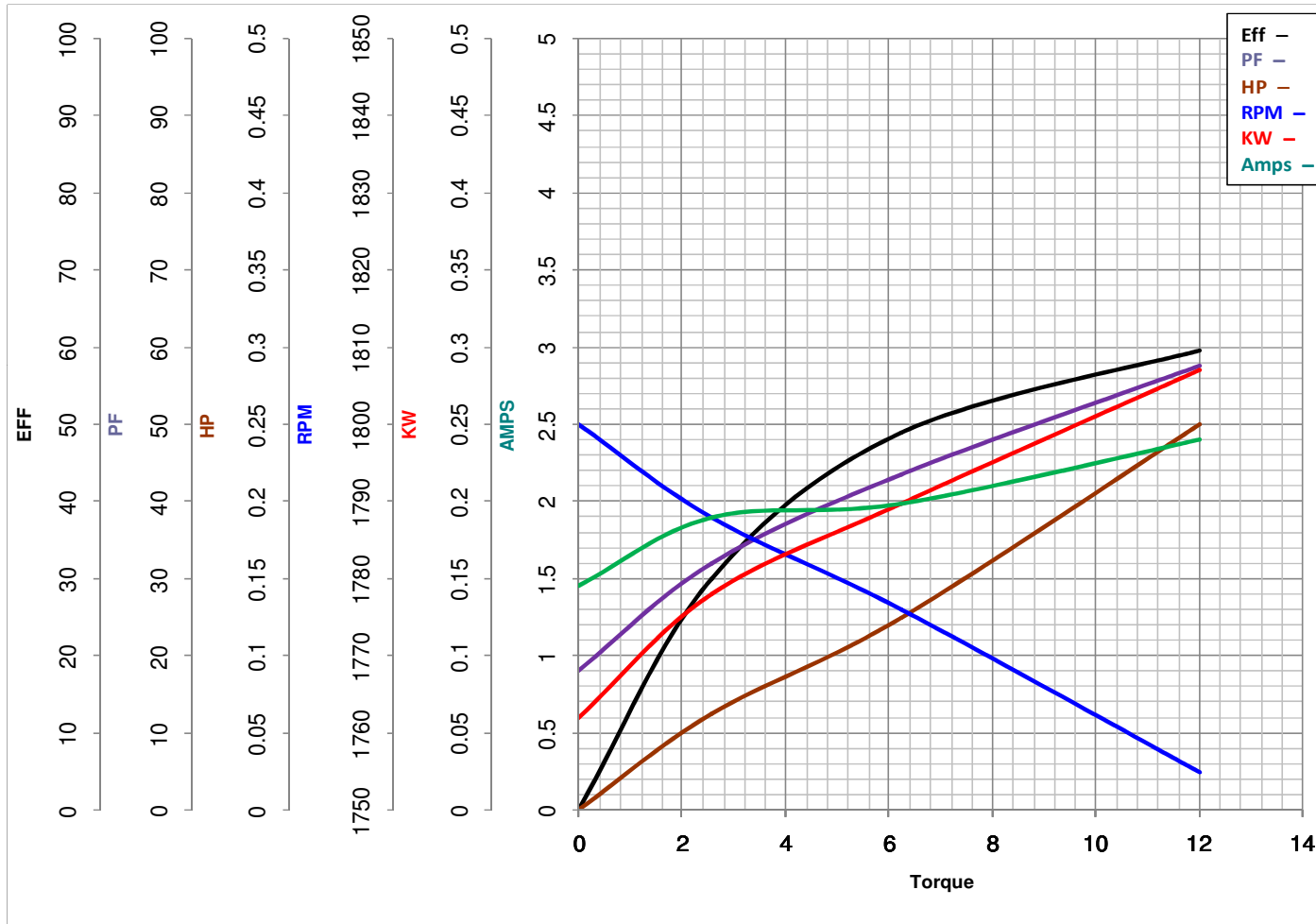
Model No 56C17E5314

VOLTS 115/208-230

Catalog No G639

HZ 60

RPM 1725



Torque in Oz.Ft

FL TORQUE 12 Oz.Ft
BD TORQUE 33.3 Oz.Ft
LR TORQUE 47.8 Oz.Ft

FL AMPS 4.8/2.3-2.4
PU TORQUE 28.3 Oz.Ft
LR AMPS 12.4

WINDING ZC496-3

Date 1/9/2019