

PRODUCT INFORMATION PACKET

FASCO®

Model No: UB582
Catalog No: UB582
5 WATT Refrigeration Motor, 1550 RPM, 115 Volts, Unit Bearing, TEAO



Regal and Fasco are trademarks of Regal Rexnord Corporation or one of its affiliated companies.
©2022 Regal Rexnord Corporation, All Rights Reserved. MC017097E

RegalRexnord



Nameplate Specifications

Output Watts	5 W	Frequency	60 Hz
Voltage	115 V	Current	0.34 A
Speed	1550 rpm	Service Factor	1
Phase	1	Duty	Continuous
Insulation Class	B	Frame	UNIT BEARING
Enclosure	Totally Enclosed Air Over	Thermal Protection	Impedance
Ambient Temperature	40 °C	UL	Recognized
CSA	Y	CE	N
Number of Speeds	1		

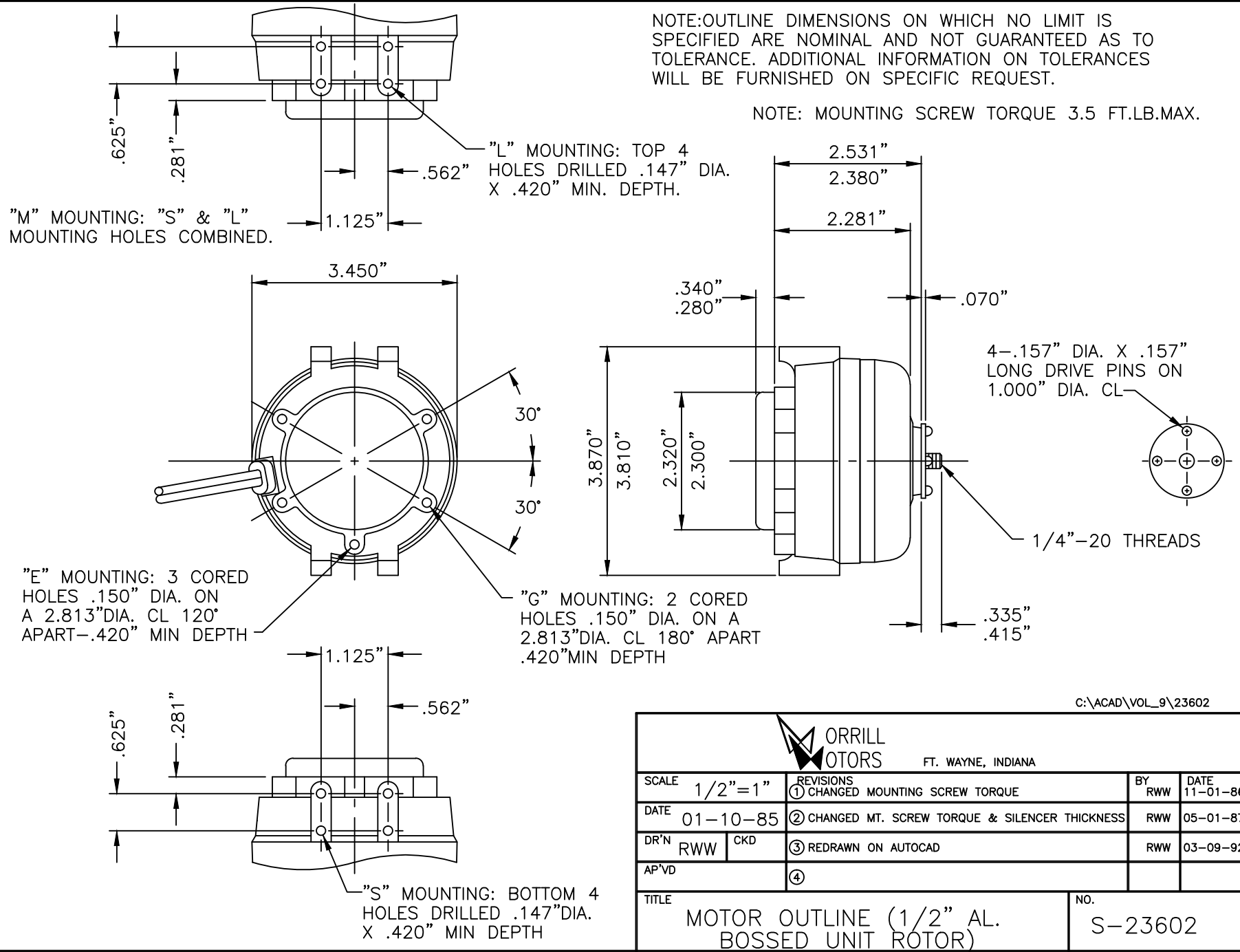
Technical Specifications

Electrical Type	Shaded Pole	Starting Method	Across The Line
Poles	4	Rotation	Clockwise Opposite Shaft End
Mounting	2 BOSS/OSE 5 HOLES	Drive End Bearing	Unit
Opp Drive End Bearing	Unit	Frame Material	Aluminum
Shaft Type	Threaded	Frame Length	2.87 in
Shaft Diameter	1/4x20 in	Shaft Extension	.415 in
Outline Drawing	UB582-S01		

This is an uncontrolled document once printed or downloaded and is subject to change without notice. Date Created:11/29/2022

NOTE: OUTLINE DIMENSIONS ON WHICH NO LIMIT IS SPECIFIED ARE NOMINAL AND NOT GUARANTEED AS TO TOLERANCE. ADDITIONAL INFORMATION ON TOLERANCES WILL BE FURNISHED ON SPECIFIC REQUEST.

NOTE: MOUNTING SCREW TORQUE 3.5 FT.LB.MAX.



C:\ACAD\VOL_9\23602

ORRILL MOTORS FT. WAYNE, INDIANA			
SCALE	1/2"=1"	REVISIONS	BY
DATE	01-10-85	① CHANGED MOUNTING SCREW TORQUE	RWW
DR'N	RWW	② CHANGED MT. SCREW TORQUE & SILENCER THICKNESS	RWW
AP'VD	CKD	③ REDRAWN ON AUTOCAD	RWW
		④	
TITLE			NO.
MOTOR OUTLINE (1/2" AL. BOSSED UNIT ROTOR)			S-23602