

# PRODUCT INFORMATION PACKET

FASCO®

Model No: UB581  
Catalog No: UB581  
50 WATT Refrigeration Motor, 1500 RPM, 230 Volts, Unit Bearing, TEAO



Regal and Fasco are trademarks of Regal Rexnord Corporation or one of its affiliated companies.  
©2025 Regal Rexnord Corporation, All Rights Reserved. MC017097E

RegalRexnord



**Nameplate Specifications**

Phase	1	Output Watts	50 W
Voltage	230 V	Speed	1500 rpm
Service Factor	1	Frame	UNIT BEARING
Enclosure	Totally Enclosed Air Over	Thermal Protection	Impedance
Ambient Temperature	40 °C	Frequency	60 Hz
Current	0.85 A	Duty	Continuous
Insulation Class	B	UL	Recognized
CSA	Y	CE	N
Number of Speeds	1		

**Technical Specifications**

Electrical Type	Shaded Pole	Starting Method	Across The Line
Poles	4	Rotation	Counterclockwise Opposite Shaft End
Mounting	2 BOSS/OSE 3 HOLES	Drive End Bearing	Unit
Opp Drive End Bearing	Unit	Frame Material	Cast Iron
Shaft Type	Flat	Frame Length	4.79 in
Shaft Diameter	0.375 in	Shaft Extension	1.55 in
Outline Drawing	UB581		

This is an uncontrolled document once printed or downloaded and is subject to change without notice. Date Created:02/10/2025

D

C

B

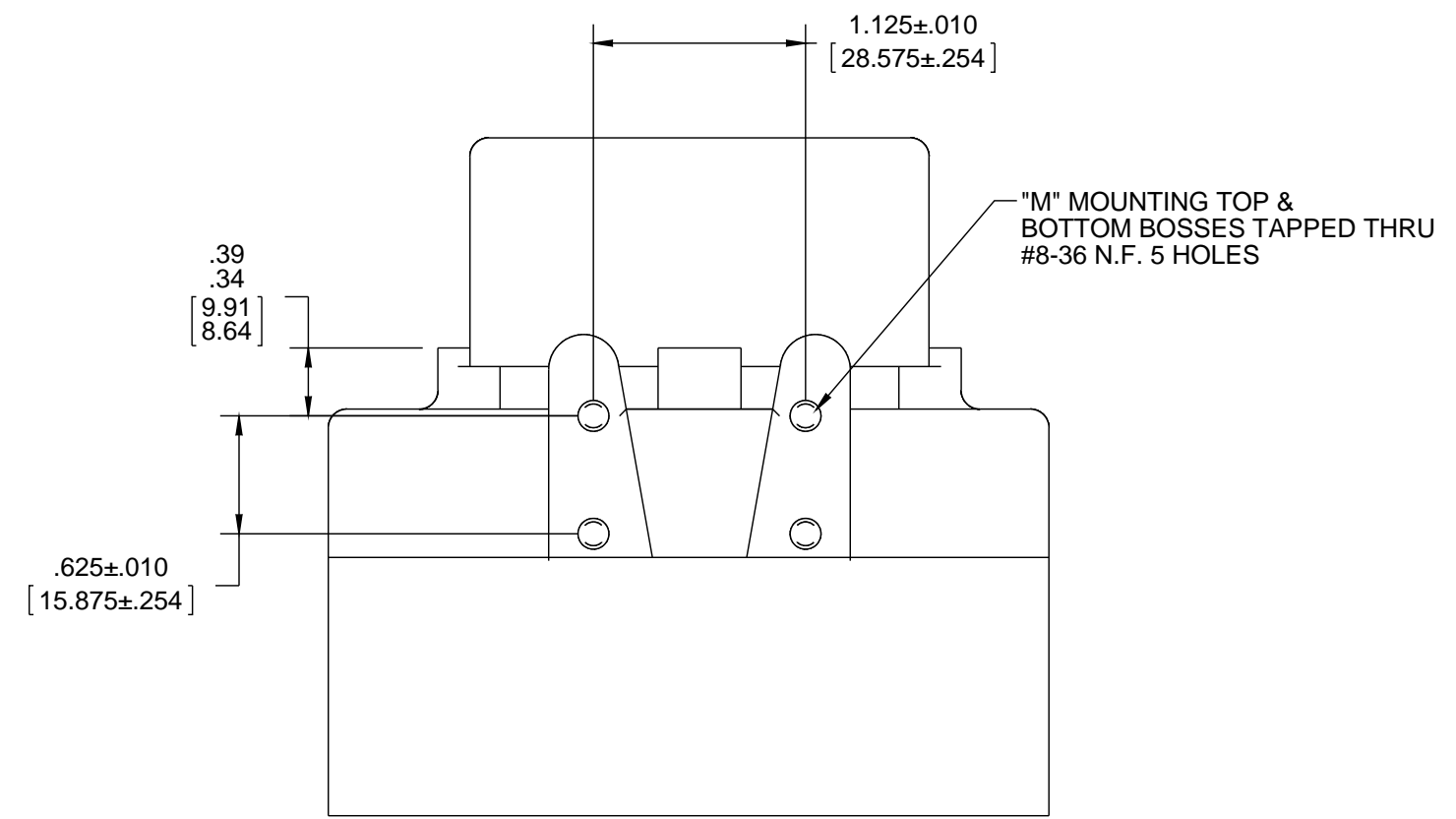
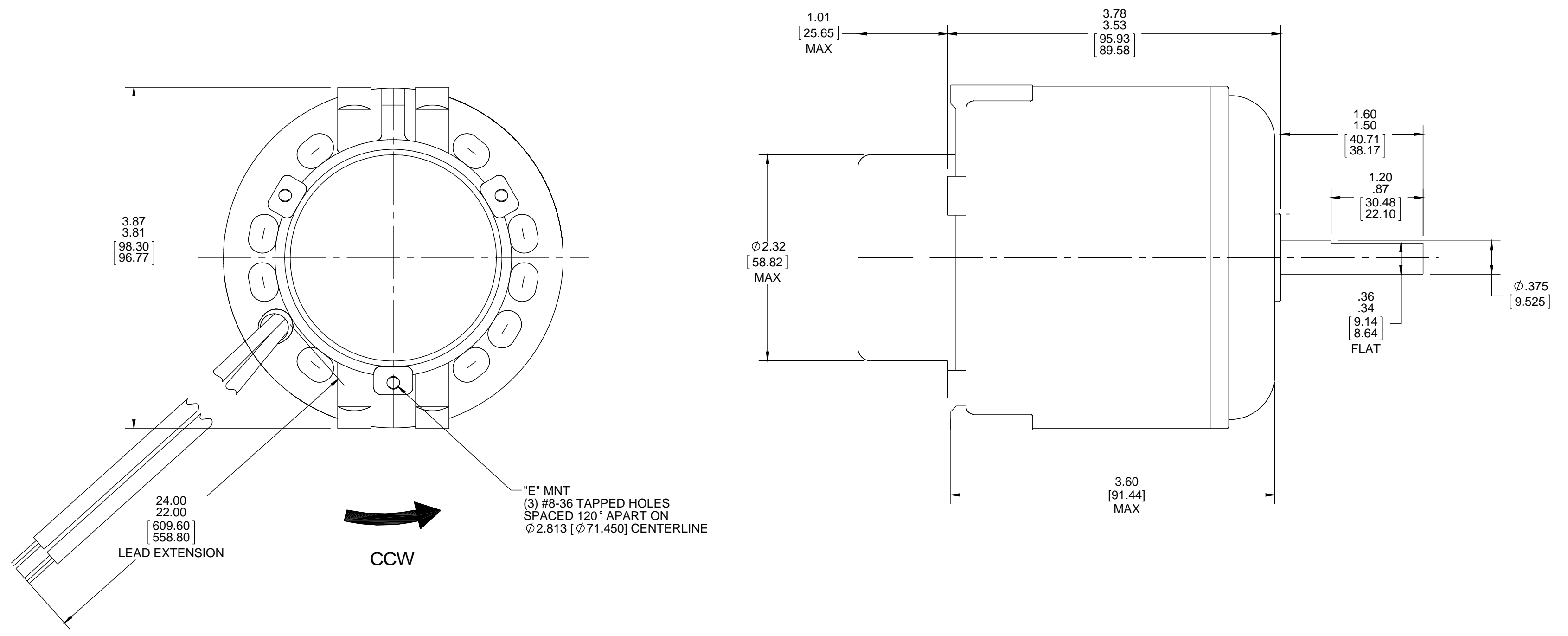
A

D

C

B

A



OUTLINE DIMENSIONS ON WHICH NO LIMIT IS SPECIFIED ARE NOMINAL AND NOT GUARANTEED AS TO TOLERANCE. ADDITIONAL INFORMATION ON TOLERANCE WILL BE FURNISHED ON SPECIFIC REQUEST.

DRAWING REVISION A	REVISION BY A.SUN	DATE 04-27-2016	TOLERANCES UNLESS OTHERWISE SPECIFIED: DEC. INCH mm ANGLE .X ±0.1 [±2.5] ±7° 30' .XX ±0.02 [±0.51] .XXX ±0.005 [±0.127] .XXXX ±0.0005 [±0.0127]	DRAWN BY A.SUN	Regal Beloit America, Inc.
ECO ECO-0100919	APPROVED BY A.SUN	DATE 04-27-2016	REMOVE BURRS & BREAK SHARP EDGES: .003/.015 [0.076/.381] X 45° CORNER FILLETS: R.02 [51] MACHINED SURFACES: 200 INCH 5.1 mm SHOWN IN [BRACKETS]	DATE 04-27-2016	
ECO DESCRIPTION New				APPROVED BY A.SUN	DESCRIPTION MODEL-SFHP-UB
<small>COPYRIGHT REGAL BELOIT AMERICA, INC. ALL RIGHTS RESERVED. PROPRIETARY AND CONFIDENTIAL INFORMATION - THIS DOCUMENT IS THE PROPERTY OF REGAL BELOIT AMERICA, INC. ('OWNER') AND CONTAINS OWNER'S PROPRIETARY INFORMATION. ANY PERSON, CORPORATION OR OTHER FIRM RECEIVING IT IS DEEMED, BY RECEIVING IT, TO AGREE THAT IT, AND/OR ANY PART OF IT, SHALL NOT BE DISCLOSED TO ANY PERSON, CORPORATION OR OTHER ENTITY, DUPLICATED, AND/OR USED, EXCEPT AS EXPRESSLY APPROVED IN WRITING IN ADVANCE BY OWNER. THIS DOCUMENT SHALL BE RETURNED TO OWNER UPON REQUEST. IT MAY BE SUBJECT TO CERTAIN RESTRICTIONS UNDER APPLICABLE EXPORT CONTROL LAWS AND REGULATIONS.</small>				DATE 04-27-2016	MATERIAL
				REFERENCE ESPOL50EMR2	PROCESS/FINISH
				THIRD ANGLE PROJECTION	SIZE C
				DRAWING NUMBER UB581	SHEET 1 OF 1