

PRODUCT INFORMATION PACKET

FASCO®

Model No: UB580
Catalog No: UB580
50 WATT Refrigeration Motor, 1500 RPM, 230 Volts, Unit Bearing, TEAO



Regal and Fasco are trademarks of Regal Rexnord Corporation or one of its affiliated companies.
©2022 Regal Rexnord Corporation, All Rights Reserved. MC017097E

RegalRexnord



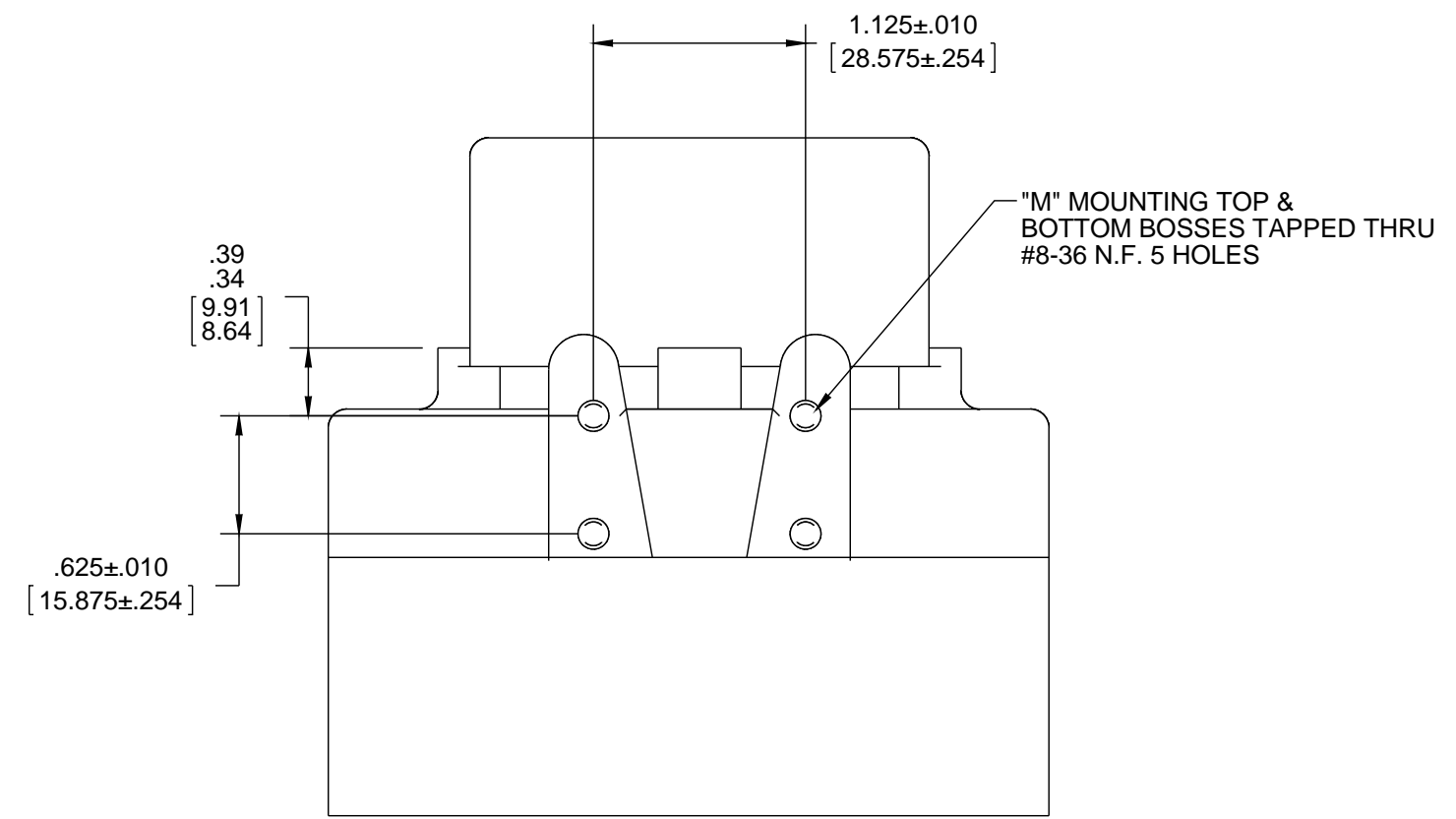
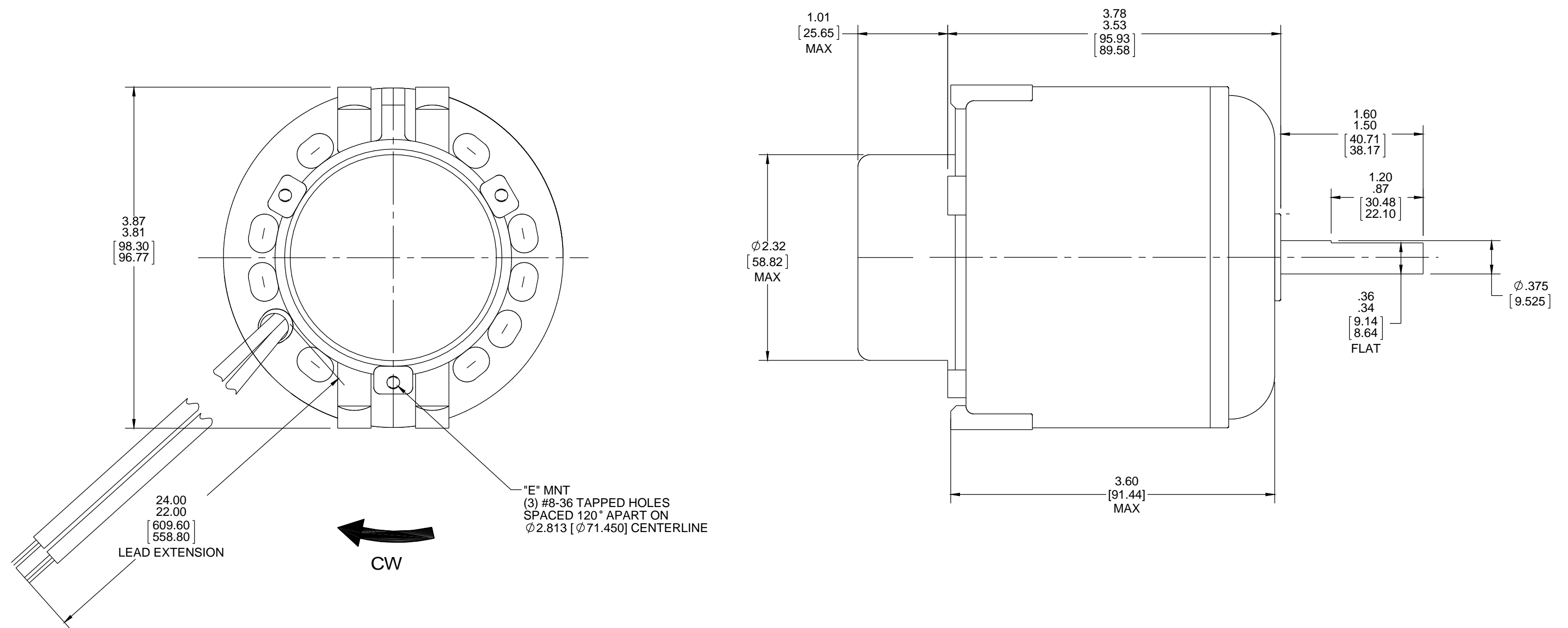
Nameplate Specifications

| | | | |
|---------------------|----------------------------------|--------------------|----------------------------|
| Output Watts | 50 W | Frequency | 60 Hz |
| Voltage | 230 V | Current | 0.85 A |
| Speed | 1500 rpm | Service Factor | 1 |
| Phase | 1 | Duty | Continuous |
| Insulation Class | A | Frame | UNIT BEARING |
| Enclosure | Totally Enclosed Air Over | Thermal Protection | Thermally Protected |
| Ambient Temperature | 40 °C | UL | Recognized |
| CSA | Y | CE | N |
| Number of Speeds | 1 | | |

Technical Specifications

| | | | |
|-----------------------|---------------------------|-------------------|-------------------------------------|
| Electrical Type | Shaded Pole | Starting Method | Across The Line |
| Poles | 4 | Rotation | Clockwise Opposite Shaft End |
| Mounting | 2 BOSS/OSE 3 HOLES | Drive End Bearing | Unit |
| Opp Drive End Bearing | Unit | Frame Material | Cast Iron |
| Shaft Type | Flat | Frame Length | 4.79 in |
| Shaft Diameter | 0.375 in | Shaft Extension | 1.55 in |
| Outline Drawing | UB580 | | |

This is an uncontrolled document once printed or downloaded and is subject to change without notice. Date Created:11/29/2022



OUTLINE DIMENSIONS ON WHICH NO LIMIT IS SPECIFIED ARE NOMINAL AND NOT GUARANTEED AS TO TOLERANCE. ADDITIONAL INFORMATION ON TOLERANCE WILL BE FURNISHED ON SPECIFIC REQUEST.

| | | | | | | |
|---|----------------------|--------------------|---|----------------------|------------------------------|-----------------|
| DRAWING REVISION A | REVISION BY A.SUN | DATE 04-27-2016 | TOLERANCES UNLESS OTHERWISE SPECIFIED: DEC. INCH mm ANGLE .X ±0.1 [±2.5] ±7° 30' .XX ±0.02 [±0.51] .XXX ±0.005 [±0.127] .XXXX ±0.0005 [±0.0127] | DRAWN BY A.SUN | Regal Beloit America, Inc. | |
| ECO ECO-0100917 | APPROVED BY A.SUN | DATE 04-27-2016 | DATE 04-27-2016 | DATE 04-27-2016 | | |
| ECO DESCRIPTION New | | | REMOVE BURRS & BREAK SHARP EDGES: .003/.015 [0.076/.381] X 45° CORNER FILLETS: R.02 [51] MACHINED SURFACES: 200 / 5.1 INCH / mm ✓ mm SHOWN IN [BRACKETS] | APPROVED BY A.SUN | DESCRIPTION MODEL-SFHP-UB | |
| <small>COPYRIGHT REGAL BELOIT AMERICA, INC. ALL RIGHTS RESERVED. PROPRIETARY AND CONFIDENTIAL INFORMATION - THIS DOCUMENT IS THE PROPERTY OF REGAL BELOIT AMERICA, INC. ('OWNER') AND CONTAINS OWNER'S PROPRIETARY INFORMATION. ANY PERSON, CORPORATION OR OTHER FIRM RECEIVING IT IS DEEMED, BY RECEIVING IT, TO AGREE THAT IT, AND/OR ANY PART OF IT, SHALL NOT BE DISCLOSED TO ANY PERSON, CORPORATION OR OTHER ENTITY, DUPLICATED, AND/OR USED, EXCEPT AS EXPRESSLY APPROVED IN WRITING IN ADVANCE BY OWNER. THIS DOCUMENT SHALL BE RETURNED TO OWNER UPON REQUEST. IT MAY BE SUBJECT TO CERTAIN RESTRICTIONS UNDER APPLICABLE EXPORT CONTROL LAWS AND REGULATIONS.</small> | | | REFERENCE ESPOL50EM2 | MATERIAL | PROCESS/FINISH | |
| | | | THIRD ANGLE PROJECTION | SIZE C | DRAWING NUMBER UB580 | SHEET 1 OF 1 |