

PRODUCT INFORMATION PACKET



Model No: C044A
Catalog No: C044A
Direct Drive Fan Motor, 1/2 HP, 1 Ph, 60 Hz, 115/230 V, F48Z Frame, TEAO



Regal and Century are trademarks of Regal Rexnord Corporation or one of its affiliated companies.
©2025 Regal Rexnord Corporation, All Rights Reserved. MC017097E





Nameplate Specifications

Phase	1	Output HP	1/2 Hp
Output KW	0.37 kW	Voltage	115/230 V
Speed	1700 rpm	Service Factor	1
Frame	F48Z	Enclosure	Totally Enclosed Air Over
Thermal Protection	Automatic	Ambient Temperature	40 °C
Frequency	60 Hz	Current	5.5/2.8 A
Duty	Air Over	Insulation Class	B
UL	Recognized	CSA	Y
CE	N	Number of Speeds	1

Technical Specifications

Electrical Type	Permanent Split Capacitor	Starting Method	Across The Line
Poles	4	Rotation	Reversible
Mounting	Resilient Base	Drive End Bearing	Ball
Opp Drive End Bearing	Ball	Frame Material	Rolled Steel
Shaft Type	Flat	Overall Length	11.00 in
Frame Length	6.50 in	Shaft Diameter	0.500 in
Shaft Extension	3.14 in		
Connection Drawing	614131-357	Outline Drawing	C044A-S01

This is an uncontrolled document once printed or downloaded and is subject to change without notice. Date Created:07/25/2025

GENERAL INFORMATION:

SHAFT RUNOUT: .001[.025] T.I.R. PER INCH LENGTH OF EXTENSION

BEARINGS: 203 BALL

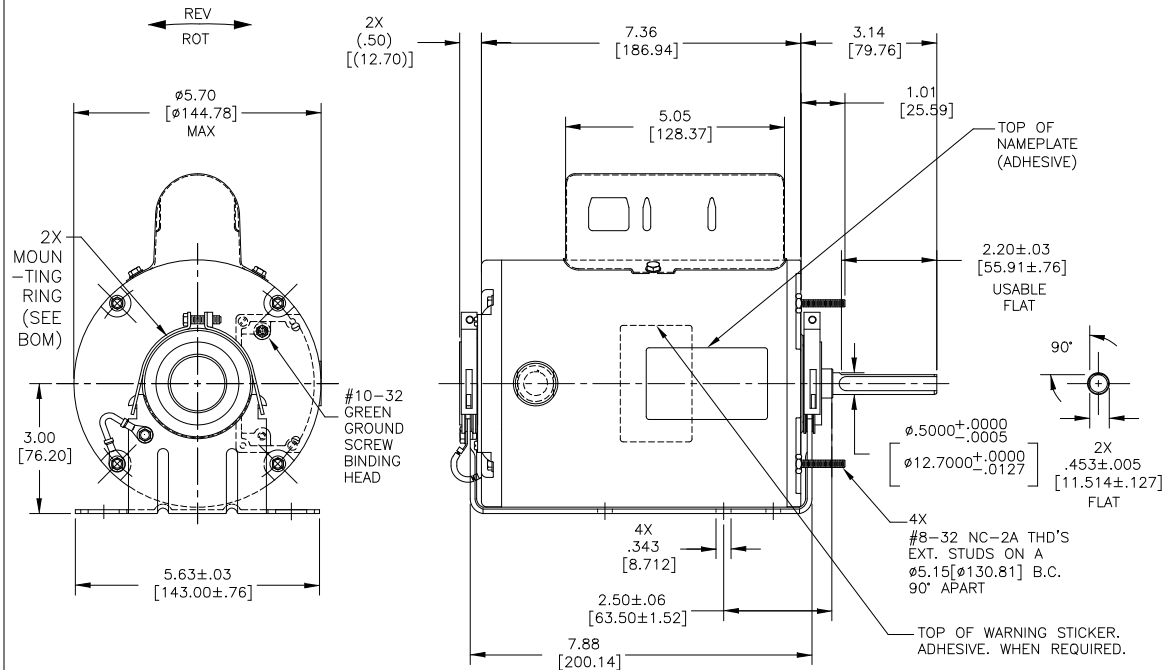
MOUNTING POSITION: ALL ANGLE

ELECTRICAL DATA:

OVERLOAD PROTECTOR: AUTOMATIC RESET (SENSATA 7AM 036)

LEADS: NO. 18 GA., .03[.76] THK. XLP 125°C INSUL.

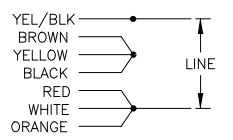
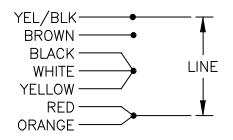
GROUND LEAD: NO. 18 GA., .03[.76] THK. GRN/YEL. INSUL.



NAMEPLATE DATA:

EXTERNAL CONNECTION DIAGRAM

MODEL NO.: F48Y95A01
 CUST. P/N: C044A
 HP: 1/2
 ROT.: REV
 RPM: 1700
 TYPE: UF
 FRAME: 48Z
 VOLTS: 115/230
 PH: 1
 AMPS: 5.5/2.8
 HZ: 60
 INS.: B
 AMB.: 40°C
 DUTY: AIR OVER
 CAP.: 25 MFD/370 V
 ENCL: ENCLOSED
 UL LOGO
 CSA LOGO
 THERMALLY PROTECTED



MOTOR CONNECTED FOR CCWLE ROTATION & 115V TO REVERSE, INTERCHANGE RED & BLK LEADS

614131-357

GRN/YEL (GRD)	3/5 [76/127]	#10 EYELET
YEL/BLK	5/7 [127/178]	.50[12.70] STRIP
BLACK	7/8 [178/203]	.25[6.35] FLAG .50[12.70] STRIP
BLACK	5/7 [127/178]	.25[6.35] FLAG
BROWN	5/7 [127/178]	.50[12.70] STRIP
YELLOW	5/7 [127/178]	.50[12.70] STRIP
ORANGE	5/7 [127/178]	.50[12.70] STRIP
WHITE	5/7 [127/178]	.50[12.70] STRIP
RED	5/7 [127/178]	.50[12.70] STRIP
COLOR	LENGTH	TERMINAL OR STRIP LENGTH

MAIN FRAME - OLE	ENCL.
END FRAME - OLE	ENCL.
MAIN FRAME - LE	ENCL.
END FRAME - LE	ENCL.

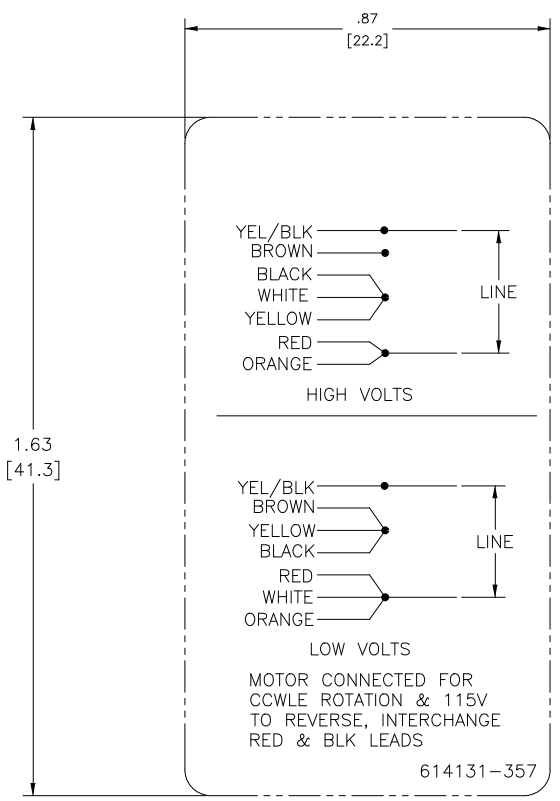
REGAL-BELOIT CORPORATION (RBC) PROVIDES TECHNICAL ASSISTANCE TO OUR CUSTOMERS IN SEVERAL AREAS. SINCE RBC DOES NOT RECEIVE ALL DATA CONCERNING THE USE AND APPLICATION OF THE MOTOR, THE SUITABILITY OF THE MOTOR FOR THE APPLICATION MUST BE DETERMINED BY THE CUSTOMER.

DIMENSIONS WITHOUT TOLERANCES ARE FOR REFERENCE ONLY.

PERFORMANCE CURVE NO.	TORQUE @1700 RPM (25°C)	APPROVED SAMPLE	UL COMPONENT		CSA	
			FILE #	CCN #	FILE #	CLASS #
C32695	27.0 OZ. FT.	0603100B	E46412	PRGY2	LR43341	4211-01

DRAWING REVISION	REVISION BY	DATE
C	ABH	07-22-2025
ECO	APPROVED BY	DATE
ECR-0244536	KEP	07-22-2025
ECO DESCRIPTION		
REMOVED ADDITIONAL CONN LABEL		
<small> COPYRIGHT REGAL-BELOIT AMERICA, INC. ALL RIGHTS RESERVED. PROPRIETARY AND CONFIDENTIAL INFORMATION - THIS DOCUMENT IS THE PROPERTY OF REGAL-BELOIT AMERICA, INC. AND/OR ANY PART OF IT. SHALL NOT BE DISCLOSED TO ANY PERSON, CORPORATION OR OTHER ENTITY, DUPLICATED, AND/OR USED, EXCEPT AS EXPRESSLY APPROVED IN WRITING BY OWNER. THIS DOCUMENT SHALL BE RETURNED TO OWNER UPON REQUEST. IT MAY BE SUBJECT TO CERTAIN RESTRICTIONS UNDER APPLICABLE EXPORT CONTROL LAWS AND REGULATIONS. </small>		

DRAWN BY: CADDIE.ZHOU	DATE: 06-15-2018	Regal Beloit America, Inc.
APPROVED BY: SARA.HELTON	DATE: 06-15-2018	
PROCESS/FINISH	MATERIAL	DESCRIPTION MODEL-RFHP-48FR OUTLINE
THIRD ANGLE PROJECTION	SIZE DWG NO C	C044A
		SHEET 1



NOTES:

1. FOR USE WITH 614129 NAMEPLATE BLANK
2. ----- INDICATES DIMENSION LIMITS
3. DIE TO BE MADE FROM MASTER SUPPLIED BY A. O. SMITH CORPORATION
4. DIE MUST PRODUCE A LEGIBLE IMPRESSION.

DRAWING REVISION CA	REVISION BY ABHI	DATE 06-30-2024	TOLERANCES UNLESS OTHERWISE SPECIFIED	DRAWN BY: P.ZHU	Regal Beloit America, Inc.
ECO ECR-0243993	APPROVED BY KEP	DATE 06-30-2024	DEC. INCH mm ANGLE .X ±0.1 [±2.5] ±0.5° .XX ±0.02 [±0.51] .XXX ±0.005 [±0.127] .XXXX ±0.0005 [±0.0127]	DATE: 11-09-2011	
ECO DESCRIPTION REVISED AS PER ECR			REMOVE BURRS & BREAK SHARP EDGES .003/.015 [0.076/.381] CORNER FILLETS .02 [.51] MACHINED SURFACES	APPROVED BY: C.ZHOU	DESCRIPTION CONNECTION DIAGRAM EXTERNAL
<small>COPYRIGHT REGAL BELOIT AMERICA, INC. ALL RIGHTS RESERVED. PROPRIETARY AND CONFIDENTIAL INFORMATION - THIS DOCUMENT IS THE PROPERTY OF REGAL BELOIT AMERICA, INC. (OWNER) AND CONTAINS OWNER'S PROPRIETARY INFORMATION. ANY PERSON, CORPORATION OR OTHER ENTITY, DUPLICATING AND/OR USING, EXCEPT BY RECEIVING IT, TO AGREE THAT IT, AND/OR ANY PART OF IT, SHALL NOT BE DISCLOSED TO ANY PERSON, CORPORATION OR OTHER ENTITY, WITHOUT THE WRITTEN CONSENT OF REGAL BELOIT AMERICA, INC. THIS DOCUMENT SHALL BE RETURNED TO OWNER UPON REQUEST. IT MAY BE SUBJECT TO CERTAIN RESTRICTIONS UNDER APPLICABLE EXPORT CONTROL LAWS AND REGULATIONS.</small>			DATE: 11-09-2011	MATERIAL	
			THIRD ANGLE PROJECTION	PROCESS/FINISH	SIZE DWG NO C 614131-357
			mm SHOWN IN [BRACKETS]		SHEET 1