

PRODUCT INFORMATION PACKET

FASCO®

Model No: 9721

Catalog No: 9721

Refrigeration Motor, 1/12 HP, 1 Ph, 50//60 Hz, 115/208-230 V, 1350//1550 RPM, 1 Speed,
3.3" Diameter, OAO



Regal and FASCO are trademarks of Regal Rexnord Corporation or one of its affiliated companies.
©2025 Regal Rexnord Corporation, All Rights Reserved. MC017097E

RegalRexnord



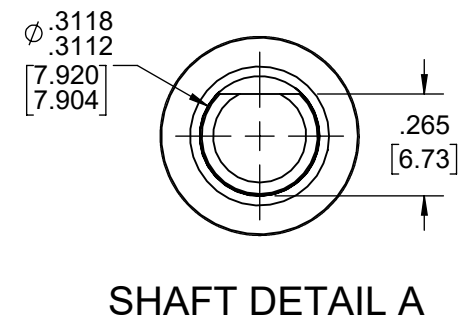
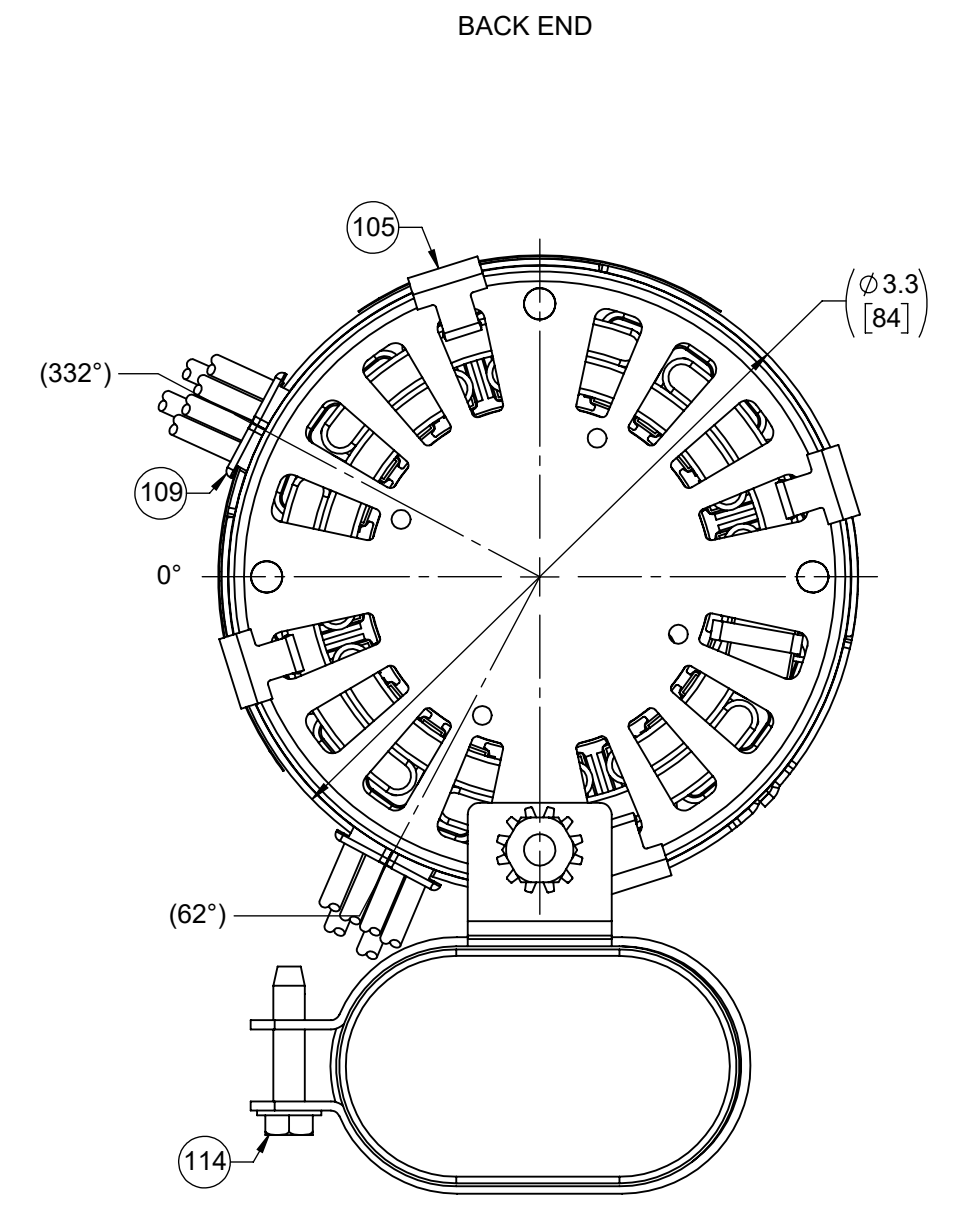
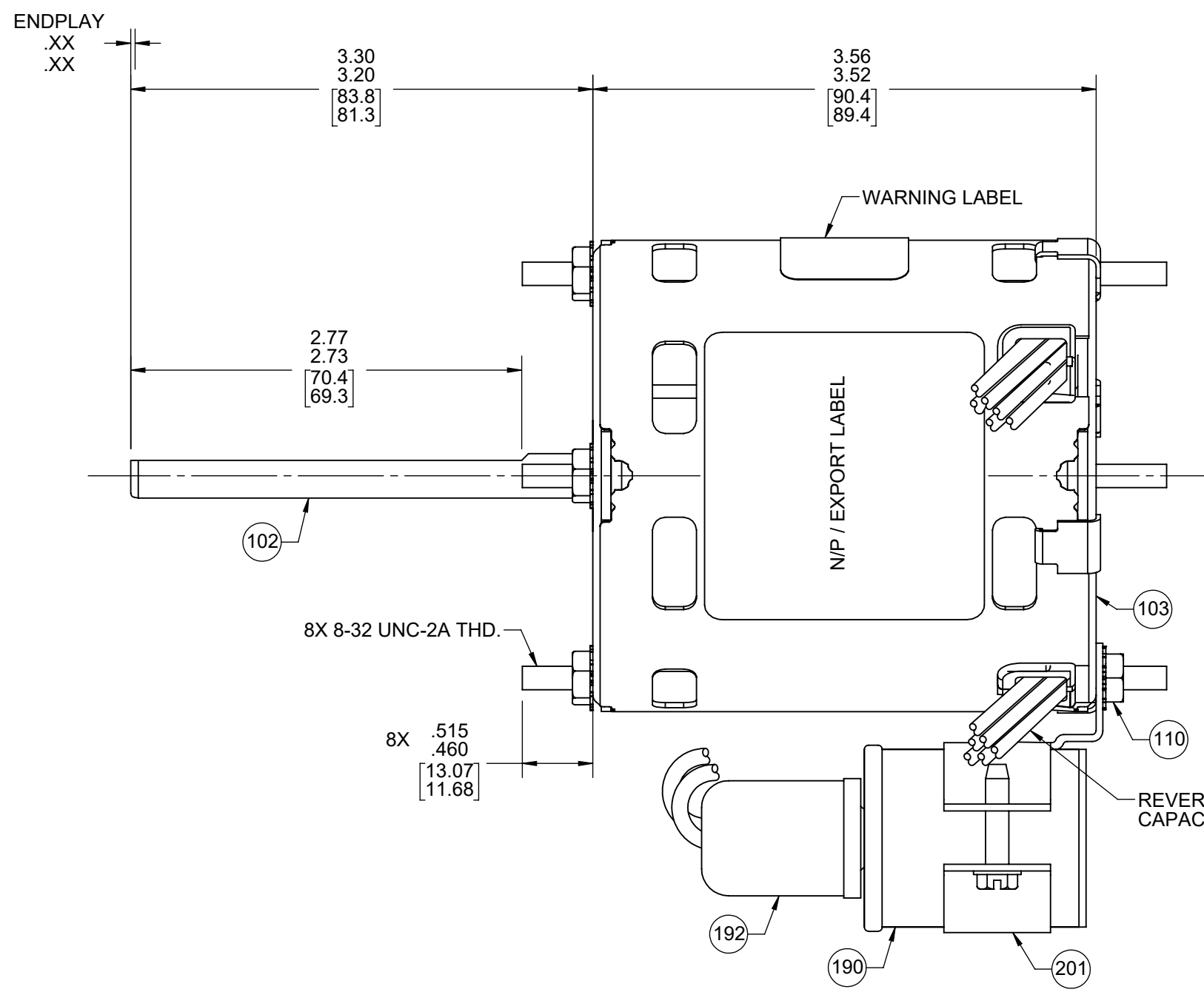
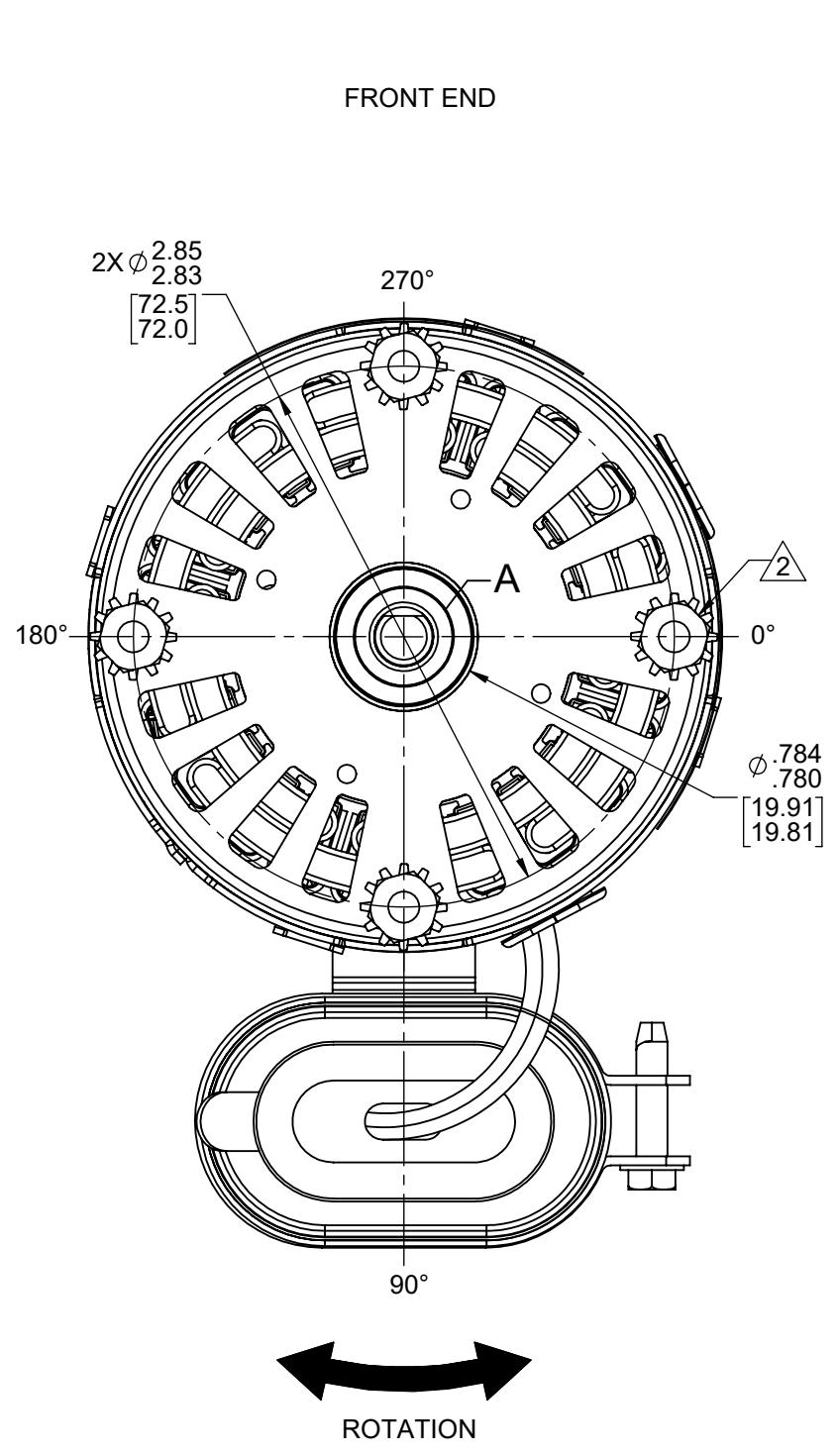
Nameplate Specifications

Phase	1	Output HP	1/12 Hp
Output KW	0.06 kW	Voltage	115/208-230 V
Speed	1350//1550 rpm	Service Factor	1
Frame	3.3	Enclosure	Open Air Over
Thermal Protection	Thermally Protected	Ambient Temperature	40 °C
Frequency	50//60 Hz	Current	0.9/0.43//1.1/0.49 A
Duty	Air Over	Insulation Class	B
UL	Recognized	CSA	Y
CE	N	Number of Speeds	1

Technical Specifications

Electrical Type	Permanent Split Capacitor	Starting Method	Across The Line
Poles	4	Rotation	Reversible
Mounting	Extended Studs	Drive End Bearing	Ball
Opp Drive End Bearing	Ball	Frame Material	Steel
Shaft Type	Flat	Overall Length	6.86 in
Frame Length	3.56 in	Shaft Diameter	0.312 in
Shaft Extension	3.25 in		
Outline Drawing	71903482C	Connection Drawing	61305863

This is an uncontrolled document once printed or downloaded and is subject to change without notice. Date Created:08/13/2025

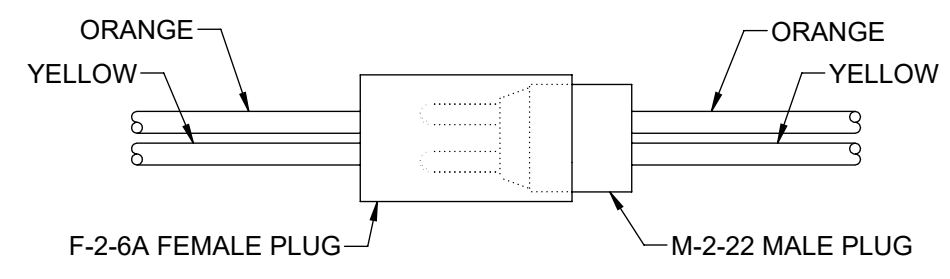


LEAD MATERIAL
18 GA. 125°C. 2/64 INSUL.
X-LINKED POLY.
WHITE, BLACK, PURPLE, YELLOW, ORANGE
22.00 / 20.00 [558.8 / 508.8]
W / STRIP .56 / .44 [14.2 / 11.2]

CAPACITOR LEADS
(2) BROWN, 8.00 / 6.00 [203.2 / 152.4]
W / FFLAG TERM. AMP 42742-2

GROUND LEAD
GRN/YEL, 22.00 / 20.00 [558.8 / 508.8]
W / RING TERM. AMP 350436-2

REVERSING LEADS
(2) ORANGE, (2) YELLOW
6.00 / 3.00 [152.4 / 76.2]



TO REVERSE ROTATION MISMATCH COLORS
MATCHING COLORS INDICATE C.W.L.E.
MOTOR MUST HAVE C.W.L.E. WHEN SHIPPED

61309677

FASCO™

Made in China
No. 71903482
115/208-230 V
Model 9721
Reference 1/12 HP
0.9/0.43/1.1/0.49 A
Max Amb 40°C

TYPE U90B1
50/60 Hz
Class B
Sealed Ball Brg
E40513
1350/1550 RPM
Reversible
4 MFD/ 370 VAC

T.P. AO
Class B

61299553

SERIALIZED BARCODE AND SERIALIZED NO. PER PS0940

FASCO™ PLACA DE DATOS

Importador: Regal Beloit de Mexico S de RL de C.V
Modelo 9721
No. 71903482
Encl. OPAO
Hecho en China

Potencia 62,14W (1/12CP)
1 350/1 550 r/min
115/208-230V 50//60Hz Ins.B
Ef. Nom (η) 52,0%

61239553

SERIALIZED BARCODE AND SERIALIZED NO. PER PS0940

- NOTES:
- MOTOR HAS 416/420 SS SHAFT.
 - PC 110 NUTS ON SHAFT END ARE FINGER TIGHT ONLY.
 - CONNECTION DIAGRAM LABEL TO BE ATTACHED TO WHITE LEAD, SEE SHEET 2 FOR LABEL REFERENCE.
 - MOTOR MUST MEET REQUIREMENTS OF ENGINEERING PER 88834424.

CUSTOMER:	FASCO DIST.	APPLICATION:	HVAC	
CUSTOMER PN:	9721	MOTOR WEIGHT:		
		ENVIRONMENT:	DRY	
MOTOR TYPE		REFERENCE SAMPLE		
P.S.C.				
B	LA	FR	A	S
00	90	30	V	05
C	E	B	A	
DM	9	0	4	
TYPICAL PERFORMANCE AT 115 / 230 VOLTS 50 / 60 HZ				
CAP: 4 MFD/370 VAC				
MOTOR SPEED	RPM	AMPERE	WATT	IN OZ
115 / 50	1490	.80	49	46
230 / 50	1490	.30	51	44
115 / 60	1792	.50	43	51
230 / 60	1790	.26	47	49
IDLE		LOADED		BREAK
AMP	WATT	IN OZ	AMP	WATT
.80	49	46	.90	86
.30	51	44	.43	85
.50	43	51	1.1	109
.26	47	49	.49	107
LOCKED		WATT		IN OZ
AMP	WATT	IN OZ	AMP	WATT
1.7	180	17.3	1.7	180
.84	178	17.9	.81	168
1.7	172	19.3	.81	168
55.5				53

61305568

SAFETY WARNING
This motor must be grounded in accordance with local or national electrical codes to prevent possible injury due to electrical shock

AVERTISSEMENT DE SÉCURITÉ
Ce moteur doit être fondée sur conformément à la réglementation locale ou national électrique codes pour prévenir d'éventuelles blessures en raison de choc électrique

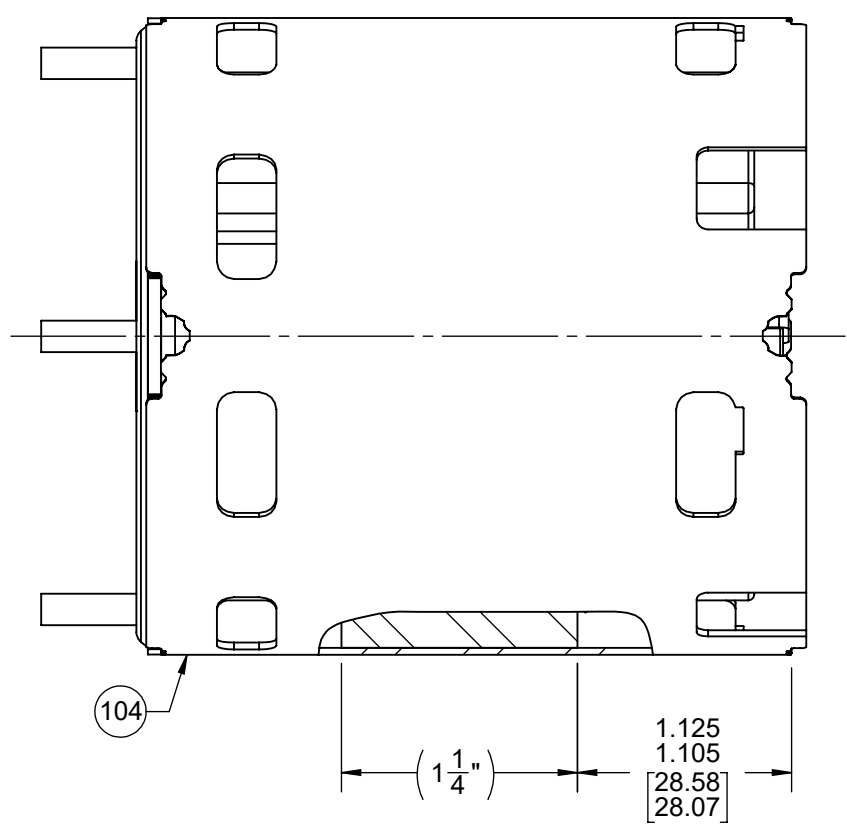
DRAWING REVISION GJ	REVISION BY KBB	REV DATE/© DATE 5/26/2022	TOLERANCES (EXCEPT AS NOTED): DEC. INCH mm ANGLE .X ±0.1 [±3] ±1° .XX ±0.01 [±0.3] .XXX ±0.005 [±0.13] .XXXX ±0.0005 [±0.013]	DRAWN BY SED		Regal Beloit America, Inc.
REQUEST NUMBER ECR-0218133	APPROVED BY PLA	DATE 5/26/2022	REMOVE BURRS & BREAK SHARP EDGES: .003/.015 [.08/.38] X 45° CORNER FILLETS: R.02 [5] MACHINED SURFACES: .125/ mm 3.2 mm DIMENSIONS IN [BRACKETS] ARE FOR REFERENCE ONLY	DATE 9/10/2015		
REQUEST NUMBER DESCRIPTION UPDATED PACKING NOTES				APPROVED BY PLA	DESCRIPTION OUTLINE MOTOR ASSY	
COPYRIGHT (PER REVISION DATE) REGAL BELOIT AMERICA, INC. ALL RIGHTS RESERVED. PROPRIETARY AND CONFIDENTIAL INFORMATION - THIS DOCUMENT IS THE PROPERTY OF REGAL BELOIT AMERICA, INC. (OWNER) AND CONTAINS OWNER'S PROPRIETARY INFORMATION. ANY PERSON, CORPORATION OR OTHER FIRM RECEIVING IT IS DEEMED, BY RECEIVING IT, TO AGREE THAT IT, AND/OR ANY PART OF IT, SHALL NOT BE DISCLOSED TO ANY PERSON, CORPORATION OR OTHER ENTITY, DUPLICATED, AND/OR USED, EXCEPT AS EXPRESSLY APPROVED IN WRITING IN ADVANCE BY OWNER. THIS DOCUMENT SHALL BE RETURNED TO OWNER UPON REQUEST. IT MAY BE SUBJECT TO CERTAIN RESTRICTIONS UNDER APPLICABLE EXPORT CONTROL LAWS AND REGULATIONS.				DATE 9/10/2015	MATERIAL	PROCESS/FINISH BLACK PAINT
THIRD ANGLE PROJECTION		SIZE C	DRAWING NUMBER 71903482C	SHEET 1 OF 2		

NOTES:

1. STAKE STATOR TO MAIN FRAME PER 88830264.
2. MAXIMUM TORQUE REQUIRED TO TURN MOTOR SHAFT IS 3/8 INCH-OUNCE.
3. ASSEMBLE SPRING BETWEEN WASHER AND BEARING ON BACK END, WITH SPRING FINGERS TOWARD BEARING.
4. ASSEMBLE BALL BEARINGS TO BEARING RETAINERS PER 88834419.
5. BRING LINE LEADS DIRECTLY OUT LEAD EXIT. IGNORE POSITION OF OTHER LEADS, THEY WILL ROTATE BACK TO THEIR LEAD EXIT.

FRONT END

BACK END

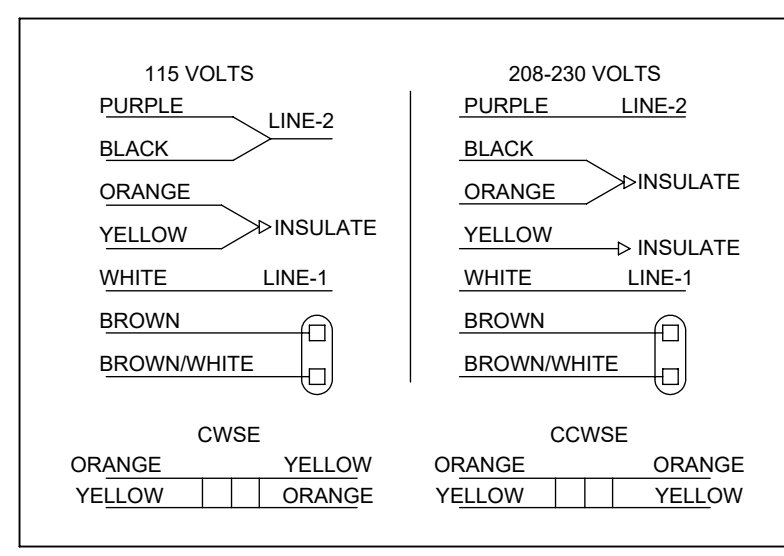


LINE LEADS OUT

CAPACITOR & REVERSING LEADS OUT



CONNECTION LABEL SHOWN FOLDED - TO BE CONNECTED TO WHITE LEAD (2.00 [50.80]) FROM LEAD EXIT



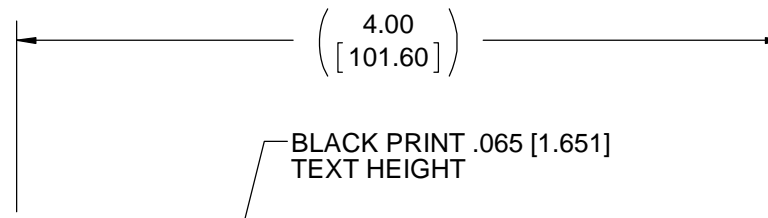
PACKING SPECIFICATIONS

1. PACK PER 88834200. 1 PER CONTAINER, 32 CONTAINERS PER LAYER, 6 LAYERS. PLACE 4 BOXES IN OPEN END IN CORNER OF PALLET WITH SHAFT UP. 196 MOTORS MAX. PER PALLET. PACK ASSY: 87855520
2. PLACE (1) FLAT PAD ON PALLET, (1) BETWEEN EACH LAYER AND (1) ON TOP OF PALLET LOAD.
3. CARTONS MUST ALL FACE ONE DIRECTION TOWARD THE OPEN END OF THE PALLET. SEE 88834408.
4. APPLY DATE CODE LABEL TO SPACE PROVIDED ON CARTON BETWEEN THE BARCODE AND MANUFACTURING LOCATION. DATE CODE MUST MATCH THE DATE CODE ON THE MOTOR LABEL.

DRAWING REVISION GJ	REVISION BY KBB	REV DATE/DATE 5/26/2022	TOLERANCES (EXCEPT AS NOTED): DEC. INCH mm ANGLE .X ±0.1 [±3] ±1° .XX ±0.01 [±0.3] .XXX ±0.005 [±0.13] .XXXX ±0.0005 [±0.013]	DRAWN BY SED	Regal Beloit America, Inc.
REQUEST NUMBER ECR-0218133	APPROVED BY PLA	DATE 5/26/2022	REMOVE BURRS & BREAK SHARP EDGES: .003/.015 [.08/.38] X 45° CORNER FILLETS: R.02 [5] MACHINED SURFACES: .125/ mm 3.2 mm DIMENSIONS IN [BRACKETS] INCH/mm ARE FOR REFERENCE ONLY	DATE 9/10/2015	
REQUEST NUMBER DESCRIPTION UPDATED PACKING NOTES				APPROVED BY PLA	DESCRIPTION OUTLINE MOTOR ASSY
COPYRIGHT (PER REVISION DATE) REGAL BELOIT AMERICA, INC. ALL RIGHTS RESERVED. PROPRIETARY AND CONFIDENTIAL INFORMATION - THIS DOCUMENT IS THE PROPERTY OF REGAL BELOIT AMERICA, INC. ("OWNER") AND CONTAINS OWNER'S PROPRIETARY INFORMATION. ANY PERSON, CORPORATION OR OTHER FIRM RECEIVING IT IS DEEMED, BY RECEIVING IT, TO AGREE THAT IT, AND/OR ANY PART OF IT, SHALL NOT BE DISCLOSED TO ANY PERSON, CORPORATION OR OTHER ENTITY, DUPLICATED, AND/OR USED, EXCEPT AS EXPRESSLY APPROVED IN WRITING IN ADVANCE BY OWNER. THIS DOCUMENT SHALL BE RETURNED TO OWNER UPON REQUEST. IT MAY BE SUBJECT TO CERTAIN RESTRICTIONS UNDER APPLICABLE EXPORT CONTROL LAWS AND REGULATIONS.				DATE 9/10/2015	MATERIAL BLACK PAINT
				REFERENCE	PROCESS/FINISH
				THIRD ANGLE PROJECTION	SIZE C
					DRAWING NUMBER 71903482C
					SHEET 2 OF 2

NOTES:

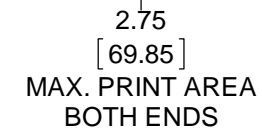
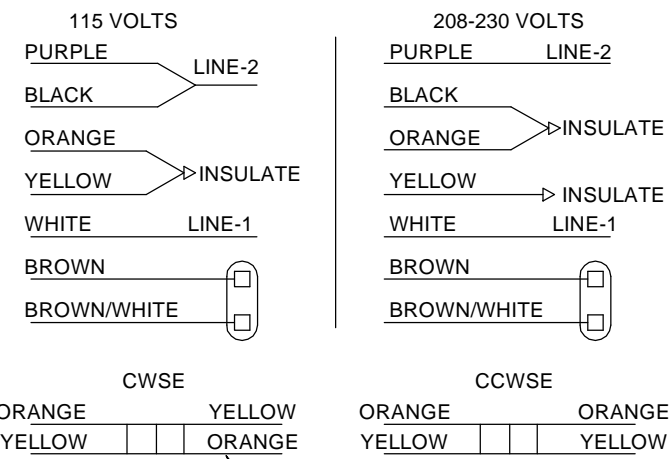
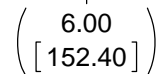
- 1. KEEP WARNING LABEL PART AS CLOSE TO TOP AS POSSIBLE AND CONNECTION DIAGRAM AS CLOSE TO BOTTOM AS POSSIBLE.
- 2. MATERIAL: T/T IMPRINTABLE UL 2.0 MIL WHITE FLEXCON NEXGEN POLY WITH HIGHY VISCOUS PERMANENT ADHESIVE AND A 50 LB. LINER.



Warning: Hazardous voltage can cause severe or fatal injury. Motor must be installed and grounded per national electrical code and local code. Terminal cover must be in place for safe operation. This motor is equipped with an automatic reset thermal protector that will reset without warning. Disconnect power before servicing unit. Keep fingers and foreign objects away from openings and moving parts. Do not operate in an explosive atmosphere.

Precaución: Voltaje peligroso que puede causar lesiones severas o fatales. El motor debe ser instalado y aterrizado de acuerdo al código eléctrico nacional y local. La cubierta de las terminales debe estar en su lugar para una operación segura. Este motor esta equipado con un restablecedor térmico automático, el cual se restablece sin ningún aviso. Desconecte la energía antes de dar servicio a la unidad. Mantenga los dedos y objetos extraños lejos de aperturas y partes en movimiento. No opere en una atmósfera explosiva.

Attention: Une tension dangereuse peut causer une blessure sévère ou fatale. Le moteur doit être installé et raccordé en respectant les codes électriques pays ou locaux en vigueur. Le boîtier électrique doit être en place pour un fonctionnement en toute sécurité Ce moteur est équipé d'une protection thermique à réarmement automatique qui se réarme sans alarme. Débranchez l'alimentation avant tout entretien de l'unité. Tenez les doigts et tous objets étrangers loin des ouvertures et des pièces en mouvement. Ne pas faire fonctionner dans une atmosphère explosive.



DRAWING REVISION AB	REVISION BY SED	DATE 2/1/2018	TOLERANCES UNLESS OTHERWISE SPECIFIED: DEC. INCH mm ANGLE .X ±0.1 [±2.5] ±1° .XX ±0.01 [±0.25] .XXX ±0.005 [±0.127] .XXXX ±0.0005 [±0.0127]	DRAWN BY SED	REGAL ™ Regal Beloit America, Inc.	
ECO ECO-0138783	APPROVED BY FDP	DATE 2/1/2018		DATE 1/2/2018		
ECO DESCRIPTION REVISED MATERIAL			REMOVE BURRS & BREAK SHARP EDGES: .003/.015 [.076/.381] X 45° CORNER FILLETS: R.02 [.51] MACHINED SURFACES: 125/3.2 INCH/mm	APPROVED BY SDM	DESCRIPTION LABEL-CONNECTION DIAGRAM	
COPYRIGHT REGAL BELOIT AMERICA, INC. ALL RIGHTS RESERVED. PROPRIETARY AND CONFIDENTIAL INFORMATION - THIS DOCUMENT IS THE PROPERTY OF REGAL BELOIT AMERICA, INC. ("OWNER") AND CONTAINS OWNER'S PROPRIETARY INFORMATION. ANY PERSON, CORPORATION OR OTHER FIRM RECEIVING IT IS DEEMED, BY RECEIVING IT, TO AGREE THAT IT, AND/OR ANY PART OF IT, SHALL NOT BE DISCLOSED TO ANY PERSON, CORPORATION OR OTHER ENTITY, DUPLICATED, AND/OR USED, EXCEPT AS EXPRESSLY APPROVED IN WRITING IN ADVANCE BY OWNER. THIS DOCUMENT SHALL BE RETURNED TO OWNER UPON REQUEST. IT MAY BE SUBJECT TO CERTAIN RESTRICTIONS UNDER APPLICABLE EXPORT CONTROL LAWS AND REGULATIONS.				DATE 1/2/2018	MATERIAL	PROCESS/FINISH
			mm SHOWN IN [BRACKETS]	REFERENCE	SIZE B	DRAWING NUMBER 61305863
				THIRD ANGLE PROJECTION		SHEET 1 OF 1