

# PRODUCT INFORMATION PACKET



Model No: 048S17D2057

Catalog No: B305

Fan and Blower Motor, 0.33 HP, 1 Ph, 60 Hz, 115 V, 1800 RPM, 48YZ Frame, DP



Regal and LEESON are trademarks of Regal Rexnord Corporation or one of its affiliated companies.  
©2026 Regal Rexnord Corporation, All Rights Reserved. MC017097E



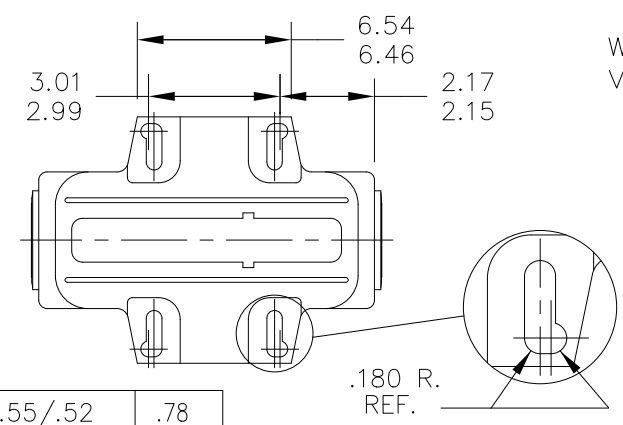
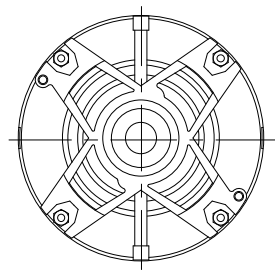
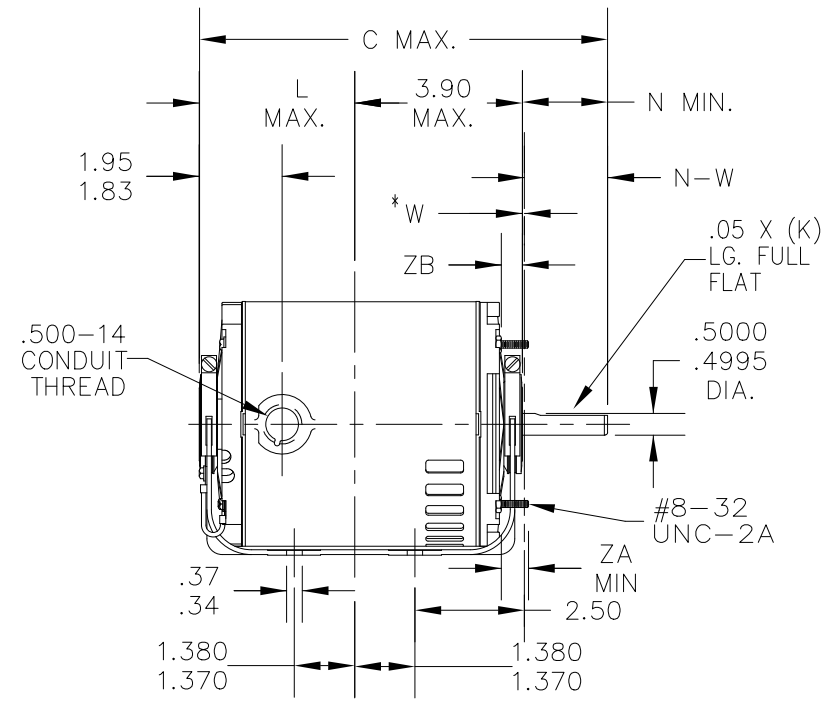
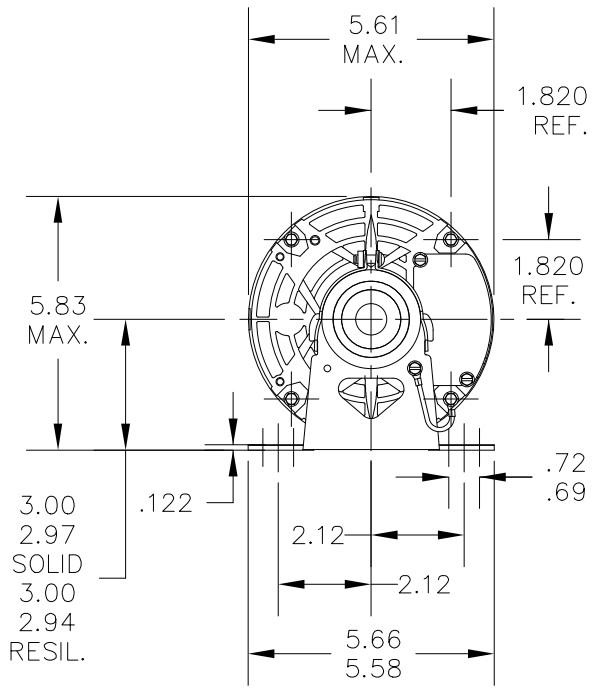


### Nameplate Specifications

Phase	1	Output HP	0.33 Hp
Output KW	0.25 kW	Voltage	115 V
Speed	1725 rpm	Service Factor	1.35
Frame	48YZ	Enclosure	Drip Proof
Thermal Protection	Automatic	Efficiency	64 %
Ambient Temperature	40 °C	Frequency	60 Hz
Current	5.3 A	Power Factor	65.7
Duty	Continuous	Insulation Class	B
Design Code	NO DESIGN CODE	KVA Code	M
Drive End Bearing Size	6203	Opp Drive End Bearing Size	6203
UL	Recognized	CSA	Y
CE	N	IP Code	22
Number of Speeds	1		

### Technical Specifications

Electrical Type	Split Phase	Starting Method	Across The Line
Poles	4	Rotation	Selective Counterclockwise
Resistance Main	1.959 Ohms	Mounting	Resilient Base - Extended Studs
Motor Orientation	Horizontal	Drive End Bearing	Ball
Opp Drive End Bearing	Ball	Frame Material	Rolled Steel
Shaft Type	Single Special Extension	Overall Length	9.32 in
Shaft Diameter	0.500 in	Shaft Extension	2.01 in
Assembly/Box Mounting	F1 ONLY		
Outline Drawing	52A111273P1	Connection Drawing	52A105379AA



W\* IS A CLEARANCE DUE TO VARIATION IN PARTS AND ASSEMBLY.

2	KH	36	48Y	10.32	1.62	4.50	1.88	2.01/1.79	.55/.52	.78
1	KH	32	48Y	9.32	1.62	3.59	1.88	2.01/1.79	.55/.52	.78
P	TYPE	RBC SIZE	NEMA FR	C	K	L	N	N-W	ZB	ZA

NO.	REVISION	BY & DATE	CHK	ANG	TOLERANCES UNLESS SPECIFIED
6	CHG FROM MARATHON TO REGAL REXNORD LOGO	KVDG 05-10-2024	DS	DEC.	INCHES
5	LOGO WAS DAYTON	PVR 06/13/13	ST	.X	±0.1
4	CHANGED 'ZA' DIMENSION PER IS12-5406	UD 11/07/12	DS	.XX	±0.02
3	UPDATED AS PER IS05-2299	PKG 09/14/05		.XXX	±0.005
2	CHG MADE PER IS05-1477	PKG 06/29/05		.XXXX	±0.0005
					±7'30"

**Regal Rexnord** Regal Beloit America, Inc.

TITLE: OUTLINE  
DRIP PROOF- RESIL. BASE - BALL

MAT'L.

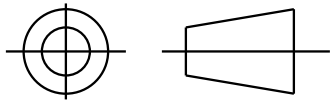
FINISH

CAD FILE: 52A111273

DRAWN	DS 01/05/05
CHK	
APPD	DS 01/05/05
SCALE	1=1
REF	
FMF	
PREV	

SHEET 1  
REV 6  
52A105379AA  
SIZE DRAWING NO. A

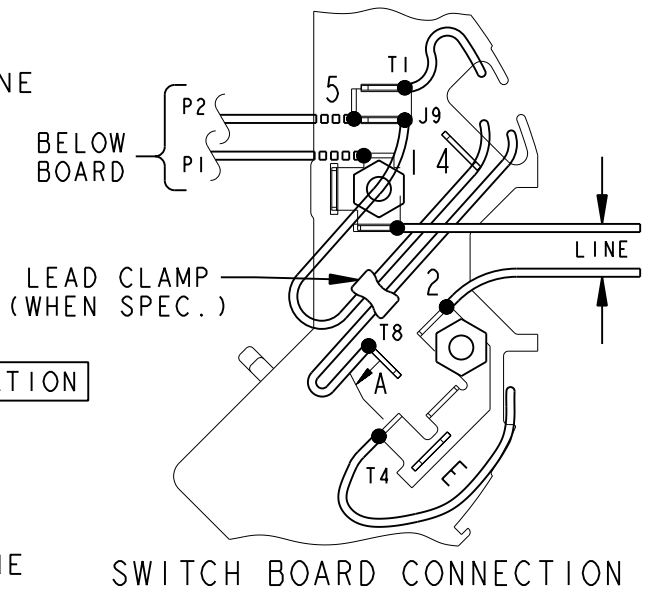
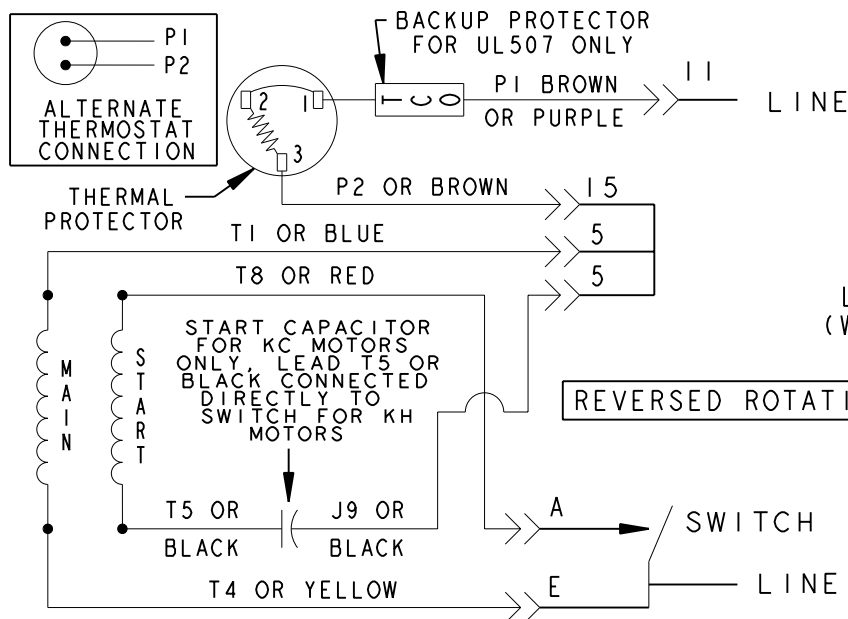
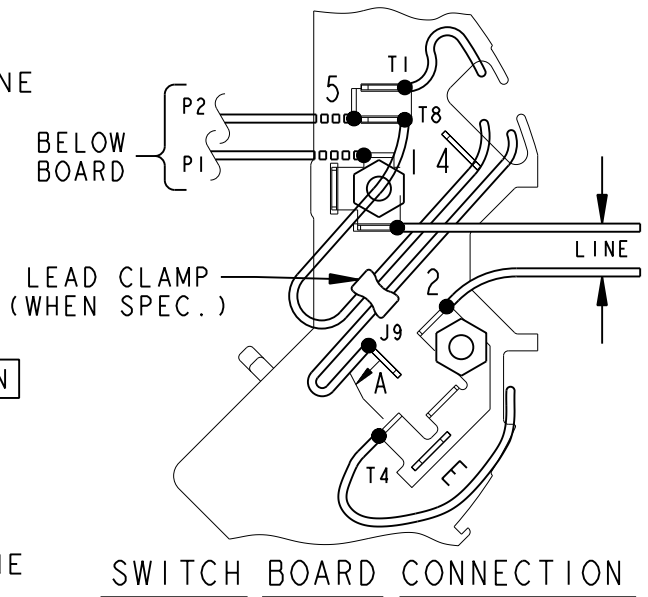
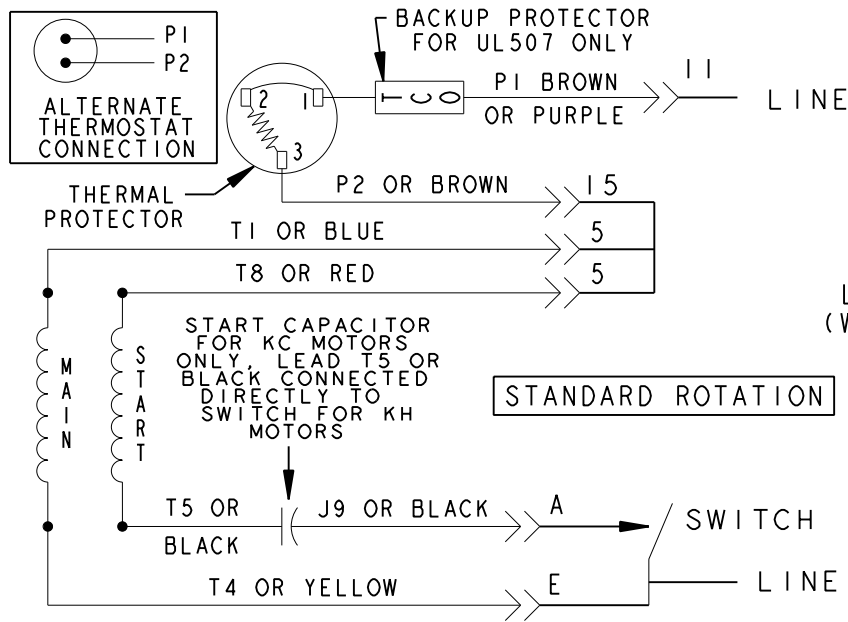
THIRD ANGLE PROJECTION



REVISIONS

REV.	DESCRIPTION	DATE	APPROVED
6	UPDATED FORMAT	12/01/05	MAM

EITHER ROTATION-SINGLE VOLTAGE-TYPE KC OR KH-WITH THERMAL PROTECTOR



NOTE #1 - TO REVERSE ROTATION INTERCHANGE RED (T8) AND BLACK (J9-KC OR T5-KH) LEADS.  
NOTE #2 - WHEN MORE THAN ONE CAPACITOR IS USED CONNECT IN PARALLEL.

SWITCH (C) - 115D958AB      REF. DIAG. - 121A851      CONN. LABEL - 52X332048

SIGNATURES		DATE
MODEL	M. D. PAPE	06/29/87
DETAIL	.	.
CHECKED	.	.
ENGRG	.	.
MFG	.	.
FOR ADDITIONAL INFO REFER TO:	QUALITY	.
APPLIED PRACTICES	ISSUED	M. D. P. 03/08/00
DIMENSIONS ARE IN INCHES ✓	SOLID MODEL: 52A105379AA	

**REGAL-BELOIT CORPORATION**

**CONNECTION DIAGRAM**

**FMF - 30 FR SWITCH REDESIGN**

SIZE DRAWING: A

SCALE: 1.000      REF. No: .

**52A105379AA**      REV 6

SHEET 1 of 1



**CERTIFICATION DATA SHEET**

**CUSTOMER:**  
**ORDER #:**  
**CONN. DIAGRAM:** 52A105379AA  
**OUTLINE:** 52A111273P1  
**WINDING #:** 52X331760P1 0

**CUSTOMER PO#:**  
**MODEL #:** 48S17D2057 N  
**CUSTOMER PART #:**  
**MOUNTING:** F1 ONLY

**TYPICAL MOTOR PERFORMANCE DATA**

HP	kW	SYNC. RPM	F.L. RPM	FRAME	ENCLOSURE	KVA CODE	DESIGN
1/3	0.25	1800	1725	48Y	DP	M	NO DESIGN CODE

PH	Hz	VOLTS	AMPS	START TYPE	DUTY	INSL	S.F.	AMB°C
1	60	115	5.3	ACROSS THE LINE	CONTINUOUS	B3	1.35	40

FULL LOAD EFF:	64	3/4 LOAD EFF:	61.3	1/2 LOAD EFF:	55	GTD. EFF		ELEC. TYPE	
FULL LOAD PF:	65.7	3/4 LOAD PF:	58	1/2 LOAD PF:	48	59.5		SPLIT PHASE	

F.L. TORQUE	LOCKED ROTOR AMPS	L.R. TORQUE	B.D. TORQUE	F.L. RISE°C
16.2 OZ-FT	33.7	25.53 OZ-FT 0 %	39.3 OZ-FT 0 %	-

SOUND PRESSURE @ 3 FT.	SOUND POWER	ROTOR WK^2	MAX. WK^2	SAFE STALL TIME	STARTS / HOUR	APPROX. MOTOR WGT
- dBA	- dBA	- LB-FT^2	- LB-FT^2	- SEC.	-	15 LBS.

**\*\*\* SUPPLEMENTAL INFORMATION \*\*\***

DE BRACKET TYPE	ODE BRACKET TYPE	MOUNT TYPE	ORIENTATION	SEVERE DUTY	HAZARDOUS LOCATION	DRIP COVER	SCREENS	PAINT
STANDARD	STANDARD	RESILIENT BASE-EXTENDED STUDS	HORIZONTAL	FALSE	NONE	FALSE	NONE	GRAY (POWDER)

BEARINGS		GREASE	SHAFT TYPE	SPECIAL DE	SPECIAL ODE	SHAFT MATERIAL	FRAME MATERIAL
DE	ODE						
BALL	BALL	BEACON 325	SGL SPL EXT	0.500 x 1.88 IN SEF WITH 1.62 IN FULL FLAT	NONE	1144 STRESSPROOF (C-223)	ROLLED STEEL
6203	6203						

THERMO-PROTECTORS				THERMISTORS	CONTROL	SPACE HEATERS
THERMOSTATS	PROTECTORS	WDG RTDs	BRG RTDs			
NONE	AUTOMATIC	NONE	NONE	NONE	FALSE	NONE VOLTS

\*  
N  
O  
T  
E  
S  
\*

<b>INVERTER TORQUE:</b> NONE
<b>INV. HP SPEED RANGE:</b> NONE
<b>ENCODER:</b> NONE
NONE NONE
NONE NONE PPR
<b>BRAKE:</b> NONE NONE
NONE P/N NONE
NONE NONE
NONE FT-LB NONE V NONE Hz

**PREPARED BY:** Venkata Datta Ganesh Kothapalli **DATE:**  
 04/10/2025 04:16:52 AM  
 FORM 3531 REV.3 02/07/99  
 \*\* Subject to change without notice.

REV 1 - CHANGED LOGO FROM MARATHON TO LEESON - 3/25/2025